



# DX NEWS

*the magazine of the  
National Radio Club*

— SINCE 1933 —

VOLUME 52 ISSUE 18 February 11, 1985

DXChange can be found on page 9. Next deadline for getting your items into Russ is April 15th, so that his column will be in the May issue. And please don't send your items to us here expecting us to advertise it. If you have items for his column get it to him prior to the April 15th deadline. Thanks.

SONY 2010 New Radio from the SONY people...details are on their way...we'll have more on this little toy next issue...via M.J. Stutterheim....film at eleven!

Top End Yearbook 1984 Copies of this 12 page booklet may be obtained by sending a couple of loggings, and a 22 cent stamp to: Craig Healy, 66 Cove St., Pawtucket, RI 02861 Write your return address very clearly on your envelope. It is cut off for use as your address label.

DX-Service of the Finnish DX Association has a wide assortment of DX Aids, including items for the pirate listener, SWL, TV, AM, Utes, etc.. Want a copy of their flyer...send 50 cents to: DX - PALVELU OY, SF-01650 Vantaa 65, Finland

The World is Yours - Enjoy Listening to International Radio A 64 page book, by Samuel R. Alcorn. Printed in large type, illustrated with alot of diagrams, charts and equipment, this book was written for the non-technical uninitiated person learn about shortwave (as well as what listening and DX'ing is about. I would recommend this book to those of us who are trying to get someone else into the world of DX! Cost is US\$2.95 plus US\$1.00 for shipping. The book is available from: Gilfer Shortwave, Park Ridge, NJ 07656. And as always...tell them you read about it via NRC DX NEWS!

Logbook Updater is now available for 3-20 cent stamps or 60 cents to NRC Members Only or US\$1.00 to Non-Members. Order your Updater from NRC Publications Center Address on the back of this issue. And please allow 4 to 6 weeks before you start calling or writing, hi.

Want to know what other products are available from the NRC? All you have to do is send a stamp to: NRC Publications Center. The address is on the back of this issue.

CPC TESTS: Times are Eastern Local Time

Feb 18 WETB-790, Johnson City, TN 0000-0100 Tones & Music, Portion at 500w PSA power  
Monday & 59w PSSA power. Reports to: C.W. Williams, Assist. CE, Box 1716, Johnson City,  
TN, 37603. Arranged by Dave (DDXD) Schmidt.

Feb 18 WJSO-1590, Johnson City, TN 0130-0230 with 5000w, Non-Directional. Tones and  
Monday music. Reports to: C.W. Williams, Assist CE, Box 5188, Johnson City, TN 37605.  
Arranged by Dave Schmidt (T.Connaster - he has you and me beat this year, hi.)

Feb 18 WQIQ-1590, Chester, PA 0100-0130 1000w Non-Directional, with tones, music, IDs.  
Monday Reports to: Dave Schmidt, WQIQ, 12 Kent Road, Aston, PA, 19014. Arranged by  
Dave Schmidt.

Feb 25 WZAL-1540 McDonough, GA 0100-0215 with music, frequent ID's and tone with  
Monday sweeps from 500 to 1000Hz at various times. Power: 2500w 0100-0155, 4w 0155-0215.  
Reports are desired, especially on 4w PSA power. Reports to: James W. DeVan,  
President & General Manager, 12 N. Cedar St., Suite 311, McDonough, GA 30253  
Arranged by: Kermit Geary and James W. DeVan.

LOOK INSIDE:

- |                      |                                       |                             |
|----------------------|---------------------------------------|-----------------------------|
| 2....AM Switch       | 3....IDX                              | 4....Top End                |
| 7....Kanadian Korner | 9....DXChange                         | 11....RT-1 Tuner, Article 3 |
| 20....Musings        | 24....NRC Addresses & YOUR NAME !!!!! |                             |

**THE WORLD'S OLDEST AND LARGEST ALL MEDIUM-WAVE DX CLUB**

②

## AM SWITCH

Jerry Starr, c/o WHOT Radio, 401 N. Blaine Ave., Youngstown, OH 44505

## CALL LETTER CHANGES

Old call: 850 KQOI IA Waterloo  
New call: KLEU

Only one change this issue and that one is not really a change. KLEU asked for KQOI, then had the new call set aside and remains KLEU.

## APPLICATIONS FOR NEW STATIONS

990 WI Mayville: 250 D3  
1520 TX Porter: 1000 D1

## GRANTS FOR NEW STATIONS

760 CO Thornton: 5000/1000 U1  
1100 NC Highland: 10000 D1

## APPLICATIONS FROM EXISTING FACILITIES

890 KPTO CA Citrus Heights: relocate XR (CP not on the air)  
1230 KQYZ WA Everett: install auxiliary antenna at present XR location  
1250 KBBI AK Homer: to 890 kHz 10000/10000 U1  
1340 WKSX NY Jamestown: power to 500/500 U1  
1340 WQUB OH Athens: power to 1000/1000 U1  
1340 KLVW UT Heber City: to 1210 kHz 5000/250 U1  
1390 KBBO WA Yakima: power to 5000/5000 U4  
1470 WBUL KY Fort Knox: to Shepherdsville, KY with 2500 D3, reapplication  
1540 WBJA PR Guayama: add 250 watts night

## GRANTS TO EXISTING FACILITIES

640 KTIB LA Thibodaux: relocate XR site for their 640 kHz CP  
680 KKX TX San Antonio: relocate XR  
740 WKIS FL Orlando: changes in antenna system  
790 KURM AR Rogers: move daytime XR site to site of nighttime XR  
870 KIEV CA Glendale: changes in antenna system  
1110 KRLA CA Pasadena: relocate XR  
KYYK NM Humble City: change city-of-license to Hobbs, NM  
1190 WKOX MA Framingham: to 1200 kHz 10000/10000 U2  
1230 WKCE TN Harriman: power to 1000/1000 U1  
1240 WSDR IL Sterling: power to 1000/1000 U1  
1290 WAGE VA Leesburg: to 1200 kHz 5000/1000 U2  
1370 KMAP MS South St. Paul: move to Center City, MN, relocate XR  
1380 WYSH TN Clinton: increase radiation efficiency (remove resistor)  
1450 WKEI IL Kewanee: power to 1000/1000 U1  
1470 KLCL LA Lake Charles: antenna from U2 to U1  
1490 WAQX NY Syracuse: power to 1000/1000 U1

## OTHERNESS

760 \*App CO Commerce City: two applications for new stations here denied in the grant of the new Thornton, CO station. Not to be confused with the 670 Commerce City, CO station which was recently granted  
820 \*App CO Falcon: previously listed by several services as a "grant" but was really a reapplication. Only one of the CO applicants for this frequency will be granted, it could be quite a while. Other applications are in Manitou Springs and Widefield  
840 \*App OK Bixby: application for new station returned  
1100 \*App MN Madison Lake: listed a few weeks ago as an "application" in this column, copied from an error in another service. In fact, this station is already granted and has call assigned (KELM), sorry 'bout that.  
1190 \*App PA Hughesville: application was for 1000 D1, corrects previously listed 100 D1 which was a typo  
1200 \*App CT Vernon: application for new station denied in the same action which granted new Framingham, MA station on 1200 kHz (see above)  
1290 \*App TX Kerrville: application for new station returned

All for this time, except for a note that we noticed the new WAIS-770 kHz on the air yesterday (1/28) with a country/light pop mixture, address: 40 Hocking Street, Nelsonville, OH 45764. As expected, this will become another regular.

73 and Good DX,

## INTERNATIONAL DX DIGEST ③

Chuck Hutton, 437 Hardendorf Ave., Atlanta, GA 30307

Times are GMT

For ELT subtract 5 hours.

Deadline: Monday

POSTAGE STAMP SHORTAGE DISCOVERED

There has to be one, right? How else could there only be four people reporting to such a fine column as DXD?

- 535 GRENADA R. Grenada fair w/local news 2306-2310 1/7. Better on 1/11 0040-0056 w/political commentary: good signal this date. (DeLorenzo)  
590 CUBA 0400 12/13 SS political commentary on speech // Rebelde 600 but generally w/local CKEY. (Sorensen)  
600 CUBA CMKA R. Rebelde, Urbano Norris 0201 12/4 Rebelde 1D by man into SS ballad w/female vocalist-good signal topping frequency. (Sorensen)  
675 FRANCE Marseilles 0134 12/13 FF talk by man and woman, fair-good. (Hakiel)  
735 ECUADOR Quito HCG01 0208 11/19 LA pop mx. SS talk, good. Not heard since 12/1-has this stn moved to an even frequency? (Hakiel) I hope not. There is little enough split DX to hear already-Chuck  
774 SPAIN synchronos 0150 1/7 pop mx. SS talk by man, good. (Hakiel)  
783 PORTUGAL Miramar 2217 12/8 PP talk, US pop vocals in EE, good. (Hakiel)  
792 SPAIN Seville 2219 12/8 SS talk fair-good. (Hakiel)  
820 ALASKA Fairbanks KCBF 0848 11/15 MoR mx, wx, poor signal. (Heppburn)  
825 ST. KITTS Basseterre 0253-0300 1/4 EE preaching, 1D on hour "This is Radio Paradise...". Time check, fair signal. (Sorensen)  
1044 MOROCCO Sebba Aloun 2251 12/28 AA talk by man, fair. (Hakiel)  
1053 MOROCCO Tanger 2249 11/12 AA talk // 1044, fair. (Hakiel)  
1134 YUGOSLAVIA Biograd 0345 12/7 gypsy type mx, Slav vocals, fair-good. (Hakiel)  
1163 HONDURAS Paraiso HT6F 0231 12/13 male vocals, LA mx poor-fair. (Hakiel)  
1197 MOROCCO Agadir 0234 12/22 HA chants according to WRTH this stn is not on at this time so who? (Hakiel)  
1200 CUBA R. Reloj, Santiago de Cuba 0302 1/10 SS talk, 1D as R. Reloj, mention of Santiago de Cuba. I hesitate to report this as everyone else seems to hear R. Revolucion as the Cuban here but that's the ID I heard. (Sorensen) An ID is an ID is an ID...Chuck  
1314 NORWAY Kvitsoy 2352 12/23 US Christmas songs in EE, good. (Hakiel)  
1332 ITALY Rome 0605 12/7 II talk, poor. (Hakiel)  
1458 ALBANIA Durres 0423 1/5 vocal by man and woman, Albanian talk, fair. (Hakiel)  
1475 BENIN Cotonou 2205 12/14 FF talk by man and woman // 4870, poor. (Hakiel)  
1502 TOGO Kara 2146 12/11 Afro mx, FF talk // 3222, poor. (Hakiel)  
1503 POLAND Stargard 0512 1/5 classical mx, good. (Hakiel)  
1512 SAUDI ARABIA Jeddah 0147 12/3 AA man in long speech, good. (Hakiel)  
1521 SAUDI ARABIA Doha 0145 12/3 AA chants, xint. (Hakiel) "E" means excellent, right? Chuck  
1555 CAYMAN ISLANDS R. Cayman noted tentatively 1/8 0317 w/female announcer listing coming events then easy-listening mx until 0335. Definite logging 1/10 0200 with Radio Cayman jingle, 1D by female into rock/soul-reggae until 0215 fade. (Sorensen)  
1557 FRANCE 0520 12/7 AA talk // 1206, good. (Hakiel)  
1566 TUNISIA Sfax 2327 12/25 AA chants, fair. (Hakiel)  
1575 PORTUGAL Porto-Canidelo 2220 12/6 PP talk, chimes, fair. (Hakiel)  
1593 WEST GERMANY Langenberg 0535 1/5 US pop mx, GG talk, good. (Hakiel)  
1602 SPAIN und 0451 12/17 SS talk by man, fair. (Hakiel)  
1610 ANGUILLA Caribbean Beacon 1/5 0333-0339 good w/EE gospel group, announcement about New York gospel band performing in St. Croix, U.S. Virgin Islands and elsewhere in the Caribbean. (Sorensen)  
1611 VATICAN Vatican City 0618 12/7 religious service and choral mx, fair. (Hakiel)

Mark DeLorenzo Holliston, MA  
George Hakiel W. Islip, NY  
Bill Heppburn Reglure Bx, NT, Canada  
Morris Sorensen Milton, ONT

HQ100, phased in  
R1A, LWS, 120/23 phasing unit  
12F202, meter, 100 antenna  
DX301 Dyer, 50R antenna, TRF

If I wanted to freeze to death I'd go down to 100 and 1000. Report to 100

# TOP END

Craig Healy, 66 Cove Street, Pawtucket, RI 02861

1600-1800 KHz Range

Times are GMT

Deadline: Last Sat. of Month

February 1985...A better turnout this time. Loggings:

1607 ??? 0130 10/11 Cubic Argo (Chituck)  
1610 WASHINGTON Cle Elum 0727,0749 1/7 WFX989 Nice ID giving call sign during repeated message by YL. Road conditions for Snoqualmie Pass and Blewitt Pass. Atop mess inc. poss. Chief Joseph Dam. (Hardy)  
1610 WASHINGTON Chief Joseph Dam 0313 1/9 Atop briefly w/ info about the Dam. 4th positive logging of a TIS from Aberdeen, plus a tentative. (Hardy)  
1610 ANGUILLA 0140 1/2 Caribbean Beacon good w/ EE ads. (Harbison)  
1610 " 0134 10/11 Caribbean Beacon (Chituck)  
1613 GUATEMALA Rabinal 0100 1/2 RAB (Harbison)  
1614 ??? 0352 11/27 Long tone, 30/minute (Chituck-ICELAND)  
1617 ??? 0136 10/11 Cubic Argo (Chituck)  
1619 ??? 0138 10/11 Cubic Argo (Chituck)  
1620 ??? 0722 1/1 KA83316 weak. ID every 4 min. (Geary)  
1621 ??? 0330 12/2 UBT good (Saloka)  
1621 ??? 0740 1/1 UBT (definitely UBT) fair (Geary)  
1621 ??? 2314 11/24 Cubic Argo (Chituck-ICELAND)  
1622 ??? 0324 12/8 KA83774 very good (Saloka)  
1622 ??? 0545 11/9 KA83774 fair every 4 min. Also strong 0255 11/30 (Geary)  
1622 ??? 0538 11/9 KA83776 strong every 4 mins. (Geary)  
1622 NEW YORK Yonkers 0250-0518 11/30 KPF-941 Strong w/ music and IDs. First heard 0448-0518 10/23 (Geary)  
1625 ECUADOR Pastaza 0351 12/2 PAT poor (Saloka)  
1625 ??? 0343 12/2 KA82777 good (Saloka)  
1627 ??? 0207 12/23 carrier w/ AM modulation (Chituck)  
1628 ??? 0110 11/2 Cubic Argo (Chituck)  
1629 ??? 0146 12/26 H313 (Harbison)  
1630 ??? 0354 11/27 carrier w/ AM modulation (Chituck-ICELAND)  
1632 ??? 0010 1/20 W182 fair (Geary)  
1632 ??? 0306 12/8 KA83326 very good (Saloka)  
1632 ??? 0142 11/2 Cubic Argo (Chituck)  
1632 ??? 0508 9/18 KA83324 fair every 4 mins. (Geary)  
1632 ??? 0510 9/18 111 and dash (one one one) fair every 4 mins. (Geary)  
1632 ??? 0520 9/18 DW03 and dash strong every 4 mins. (Geary)  
1634 ??? 0143 10/11 Cubic Argo (Chituck)  
1634 ??? 0323 12/27 B44 (Harbison)  
1634 ??? 0231 1/4 B444 (Harbison)  
1634 ??? 0233 1/4 T185 (Harbison)  
1634 ??? 0046 11/25 I313 good (Saloka)  
1634 ??? 0047 11/25 A314 good (Saloka)  
1634 ??? 0045 11/25 J314 good (Saloka)  
1635 ??? 0416 12/17 L447 (Harbison)  
1635 ??? 0426 12/17 F59 (Harbison)  
1635 ??? 0427 12/17 A314 (Harbison)  
1635 ??? 0456 12/17 Y190 (Harbison)  
1635 ??? 0327 12/27 I313 (Harbison)  
1635 ??? 2226 12/27 Y14 (Harbison)  
1635 ??? 0141 12/30 KA84049 (Harbison)  
1635 ??? 2255 1/9 I58 (Harbison)  
1636 ??? 0402 12/2 I284 fair w/dash (Saloka)  
1636 ??? 0356 12/2 R119 fair w/dash (Saloka)  
1636 ??? 0357 12/2 O221 good (not zero 221) (Saloka)  
1636 ??? 0356 12/2 L313 good (Saloka)  
1636 ??? 0354 12/2 KA80051 good (Saloka)  
1636 ??? 0143 1/1 L446 (Harbison)  
1636 ??? 2254 1/9 R353 (Harbison)  
1637 ??? 0125 1/3 J314 (Harbison)  
1637 ??? 0126 1/3 S340 (Harbison)  
1637 ??? 0040 11/25 S340 good (Saloka)  
1637 ??? 0127 1/3 O447 (not zero 447) (Harbison)  
1637 ??? 0129 1/3 I448 (Harbison)  
1637 ??? 0130 1/3 U446 (Harbison)  
1637 ??? 0131 1/3 E284 (Harbison)  
1637 ??? 0137 1/3 I55 (Harbison)  
1638 ??? 0005-0010 1/20 O381 (not zero 381) fair (Geary)  
1638 ??? 0005-0010 1/20 F59 fair (Geary)  
1638 ??? 0005-0010 1/20 H181 fair (Geary)  
1638 ??? 0005-0010 1/20 I55 fair (Geary)

1639 ??? 0333 12/8 KA83334 very good (Saloka)  
1639 ??? 0148 11/2 Cubic Argo (Chituck)  
1639 ??? 0209 12/23 carrier w/ AM modulation (Chituck)  
1642 ??? 0139 1/3 N322 (Harbison)  
1642 ??? 0140 1/3 O448 (not zero 448) (Harbison)  
1642 ??? 0141 1/3 Y444 (Harbison)  
1642 ??? 0142 1/3 H374 (Harbison)  
1642 ??? 0143 1/3 O384 (not zero 384) (Harbison)  
1642 ??? 0144 1/3 Q450 (Harbison)  
1642 ??? 0145 1/3 V448 (Harbison)  
1642 ??? 0153 1/3 KA83797 (Harbison)  
1642 ??? 0200 1/3 Z283 (Harbison)  
1642 ??? 2300-2325 1/19 O442 (not zero 442) fair (Geary)  
1642 ??? 2300-2325 1/19 R448 fair (Geary)  
1642 ??? 2300-2325 1/19 Z190 fair (Geary)  
1642 ??? 2300-2325 1/19 C321 fair (Geary)  
1642 ??? 2300-2325 1/19 R280 strong (Geary)  
1642 ??? 2300-2325 1/19 O445 (not zero 445) fair (Geary)  
1642 ??? 2300-2325 1/19 B432 fair (Geary)  
1642 ??? 2300-2325 1/19 B431 strong (Geary)  
1642 ??? 2300-2325 1/19 L335 fair (Geary)  
1642 ??? 2300-2325 1/19 Q17 Fair (Geary)  
1642 ??? 2300-2325 1/19 Q450 strong (Geary)  
1642 ??? 2300-2325 1/19 L350 fair (Geary)  
1642 ??? 0404 12/2 DT98 good w/dash (Saloka)  
1643 NORWAY Gandall 0210 11/23 LGB TLX (Chituck-ICELAND)  
1645 ??? 0144 10/11 Cubic Argo (Chituck)  
1645 ??? 2317 11/24 Decca HiFix (Chituck-ICELAND)  
1646 ??? 0210 12/23 Cubic Argo (Chituck)  
1648 ??? 0113 1/3 B381 (Harbison)  
1648 ??? 0114 1/3 C44 (Harbison)  
1648 ??? 0413 12/2 FRB good (Saloka)  
1648 ??? 0218 11/2 Decca HiFix (Chituck)  
1648 ??? 0211 12/23 Cubic Argo (Chituck)  
1650 ??? 0010-0020 1/20 B381 fair (Geary)  
1650 ??? 0010-0020 1/20 E448 fair (Geary)  
1650 ??? 0010-0020 1/20 P284 fair (Geary)  
1650 ??? 0010-0020 1/20 J105 fair (Geary)  
1650 ??? 0207 1/3 D448 (Harbison)  
1650 ??? 0207 1/3 E448 (Harbison)  
1650 ??? 0209 1/3 X448 (Harbison)  
1651 ??? 0420 12/2 KA80045 fair w/ QRM from carrier (Saloka)  
1651 ??? 0145 10/11 Cubic Argo (Chituck)  
1656 ??? 0205 1/3 KA84070 (Harbison)  
1661 ??? 1037 10/11 Carrier burst, 10 sec. on/20 sec. off (Chituck)  
1672 ??? 0231 11/2 Cubic Argo (Chituck)  
1673 ??? 0209 11/23 Decca HiFix (Chituck-ICELAND)  
1674 ??? 0146 10/11 Cubic Argo (Chituck)  
1683 ??? 0233 11/2 Cubic Argo (Chituck)  
1685 COLOMBIA Mercaderes 0042 12/17 MER (Harbison)  
1685 " " 0353 11/25 MER very good (Saloka)  
1685 " " 0714 12/3 MER good (Hardester)  
1690 ??? 0402 11/27 unid RTTY (Chituck-ICELAND)  
1707 ??? 0236 11/2 "T" beacon, 1/sec (Chituck)  
1709 SCOTLAND Rosyth Five 0406 11/27 MTO (DE MRK CW) (Chituck-ICELAND)  
1709 ??? 0149 10/11 "A" beacon (Chituck)  
1712 ??? 0245 11/2 TTI (Chituck)  
1714 ??? 0150 10/11 TTI (Chituck)  
1715 ICELAND ?? 0909 11/23 2-way comm, Iceland police. (Chituck-ICELAND)  
1715t COLOMBIA Puerto Asis 0716 12/3 NIS miskeying of SIS? good (Hardester)  
1726 ??? 0206 11/23 Decca HiFix (Chituck-ICELAND)  
1730 ??? 0248 11/2 carrier w/ AM modulation (Chituck)  
1735 ??? 0205 11/23 carrier w/AM modulation (Chituck-ICELAND)  
1737 ??? 0249 11/2 carrier w/ AM modulation (Chituck)  
1739 ??? 0203 11/23 SSI (Chituck-ICELAND)  
1744 ??? 0151 10/11 "A" beacon (Chituck)  
1744 ??? 0250 11/2 "H" beacon (Chituck)  
1745 ??? 0201 11/23 IT (Chituck-ICELAND)  
1746 ??? 0152 10/11 1 tone every 2 seconds (Chituck)  
1747 ??? 0252 11/2 1 pip per second (Chituck)  
1747 ??? 0159 11/23 unid CW communication (Chituck-ICELAND)  
1748 ??? 0410 11/27 EET (Chituck-ICELAND)  
1749 ??? 0153 10/11 Cubic Argo (Chituck)  
1749 ??? 0153 10/11 "W" beacon (Chituck)  
1749 ??? 0411 11/27 Voice comm., Norwegian (Chituck-ICELAND)

- 6
- 1751 ??? 0154 10/11 Cubic Argo (Chituck)
  - 1751 ??? 0157 11/23 ST (Chituck-ICELAND)
  - 1752 ??? 0254 11/2 Cubic Argo (Chituck)
  - 1753 ??? 0155 10/11 Cubic Argo (Chituck)
  - 1754 ??? 0155 11/23 TS (Chituck-ICELAND)
  - 1758 ??? 0053 1/8 Navigational station, phone QRM (Harbison)
  - 1758 ??? 0255 11/2 Cubic Argo (Chituck)
  - 1760 ??? 0156 10/11 Cubic Argo (Chituck)
  - 1764 ??? 0256 11/2 HT (Chituck)
  - 1765 ??? 0157 10/11 HT (Chituck)
  - 1766 ??? 0154 11/23 Decca HiFix (Chituck-ICELAND)
  - 1769 ??? 0159 10/11 Cubic Argo (Chituck)
  - 1769 ??? 0152 11/23 unid RTTY (Chituck-ICELAND)
  - 1783 ??? 0010 1/8 Dot Dash beacon, no particular order. (Harbison)
  - 1783 ??? 0359 11/25 "beeps" very good (Saloka)
  - 1796 ??? 0147 11/23 TT (Chituck-ICELAND)

Credits:

Mike Hardester	Littleton, CO	R-1000, R. West active antenna
Kermit Geary	Walnutport, PA	
Bill Hardy	Aberdeen, WA	
Norm Harbison	Monroeville, NJ	DX-302, 130' dipole
Joe Saloka	Chardon, OH	Drake R4C, 160 meter dipole
Bruce Chituck	Pax River, MD	DX-302, 65' wire
Bruce Chituck	Reykjavik, ICELAND	same

A note from Mike Hardester has the address of LGB as:

Rogaland Coastal Radio - LGB  
 P.O. Box 367  
 N-4310 Ganddal  
 NORWAY.

He says that SPEEDX lists a QSL received for one IRC and a prepared form card in 17 days air. This was in August 1984.  
 Mike also has the dubious distinction of having his loggings spend the longest time in the USPS. Postmarked 12/6, received 1/15. 'Til later.....

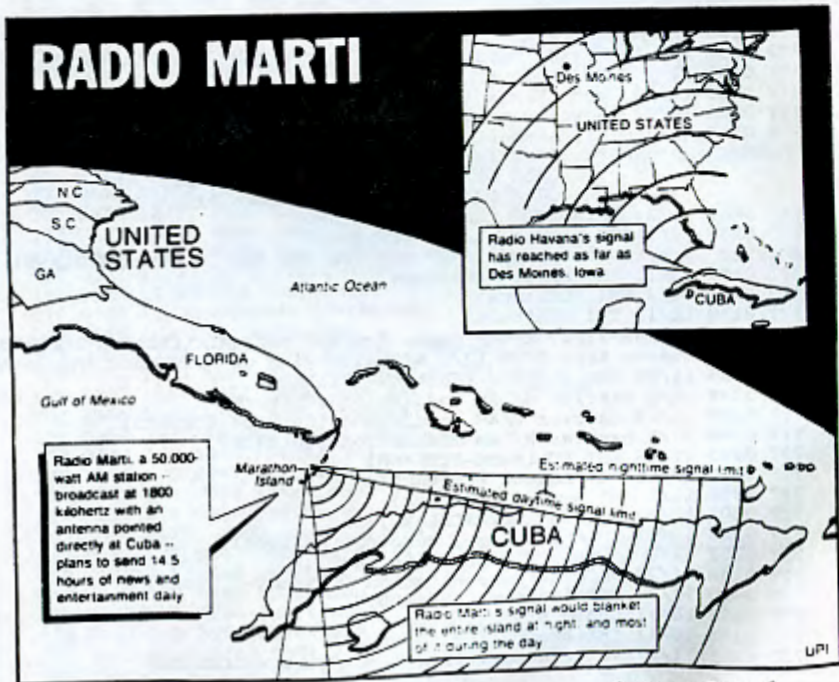
# KANADIAN KORNER

John Oldfield, 7135 129A Street, Surrey, BC V3W 6T4  
 AM Station News from Canada

- 530 ON .... Toronto(Pearson Intl. Airport) TIS 49.5 watts got CP.
- 600 NE CQOT Tuk...BV says they're off...guess they run out of C.
- 600 BC CJOR Vancouver now reruns(Saps) "Best of Barrett" on AMER & comedy S&S-ins, dropping 100% of its music.
- 620 BC CJOI BV says they use "Western Interior Network" ID & "BCP" CIBC-FM(sister) runs// on AMER.
- 640 ON CPOB Ft. Frances get CP for 1kw. U2 from 300.
- 640 NE CBLA BV really has heard 'em...but has he ever heard IPI?
- 700 NS CBSJ St. John wants 10kw. U4 from 1150.
- 710 PQ CBV2 Lac-Edouard now relays CBF-690.
- 710 ON CBLQ Haliburton here from 1400 due to interference...CBLQ
- 750 ON CBLQ Latchford here ex 1450. Relays CBL. If you hear the new CMB then watch for CBLQ...same area of Ontario.
- 760 BC CQKR Castlegar gets CP for 20/10kw. U2 ex 1230. This & other freq. applications aren't getting printed by CFC?????
- 780 BC CKOK Penticton wants 20/10kw. U4 from 300.
- 800 ON CKDR Dryden gets CP for 700 watts U1 from 900.
- 800 ...BC CKOK wants 700...CPOB moves to 570...
- 840 ON CHUR North Bay wants 10/1kw. U2 from 1110...not even on yet.
- 860 NT CHAK Inuvik ID now "CBC Western Arctic" says BV.
- 860 BC CBM Blue River 1prt moves here ex 1150 due to CBLQ.
- 870 NE CFSX Stephenville wants 500 watts U1 from 910.
- 880 BC CBLQ Brandon wants 10kw. U4 from 1570.
- 900 ON CKDR Dryden moves to 800 as CPOB moves to 640.
- 910 NE CFSX wants 870.
- 990 PQ CBV3 Clova now relays CBF-690.
- 990 BC CBKI Shalath-Seton is here ex 1340.
- 1050 BC CIAL Vernon s/off 0205 Sun.HF mentioning 3 FM repeaters.
- 1070 AB CMBT St. Albert is off...for awhile.
- 1110 ON CHUR wants 840. Also in the "Mid-Canada ownership squabble."
- 1150 BC CBM 1prt moves to 990...CBSJ wants 700 in New Brunswick.
- 1200 ON CPGO Ottawa gets CP for 50kw. U4 ex 1440.
- 1230 BC CQKR gets 760. Now they can compete with CJAT Trail.
- 1250 AB CJYR Hinton gets 1kw. U1...CJLW Wainwright gets 1kw. U1.
- 1250 BC CBEV Smithers...ON CBLK Kapuskasing did not apply for 1kw.
- 1240 PQ CBV-1 Parent 1prt now relays CBF-690.
- 1240 MB CJAR The Pas and SA CJS Meadow Lake get 1kw. U1.
- 1240 NS CJLH Yarmouth gets a big 4kw. U4.
- 1240 NT CBYK Yellowknife gets 2kw. U1...an easy catch now!
- 1340 ON CBEQ Parry Sound has not applied for 1kw.
- 1340 NT CKWK Corner Brook gets a biggie 10kw. U1.
- 1340 BC CBKI 1prt moves to 990.
- 1340 AB CIBQ Brooks gets 1kw. U1. Also wants 770(& CQKR too).
- 1340 AB CILW Grande Centre gets 1kw. U1. CQKO lists then as CILW-1.
- 1350 BC CEMU Squamish 1prt seems to be on FM?
- 1400 BC CFLD Burns Lake hasn't asked for 1kw....maybe moving to 830?
- 1400 AB CSEJ Stettler gets 1kw. U1. Also wants 300(& CQOT too).
- 1400 ON CBLQ 1prt moves to 710.
- 1400 NE CBC Gander gets a big 4kw. U1
- 1400 PQ CJFP Riviere-du-Loop gets a very large 20kw. U2
- 1400 BC CKRP Princeton ex CINI gets NEL Vancouver Canucks via CKOK.
- 1410 BC CFUN Vancouver now "Light Rock Less Talk"...or is it less Jock.
- 1440 ON CPGO Ottawa moves to 1200.
- 1450 ON CBLQ 1prt moves to 750.
- 1450 PQ CHEP Granby gets 20kw. U4...to serve Montreal of course.
- 1450 AB CPEC Canmore gets 1kw. U1. CFCO lists it as CPEC.
- 1490 AB CJPR Crowsnest Pass and SA CJSN Shaunavon get 1kw. U1/  
 1540 ON CHIN Toronto gets 15kw. nights(4 towers).
- 1570 MB CKLQ Brandon wants 300.

NEL Hockey Vancouver Canucks add: CJAV-1240, CKRP-1400

CKW-980 got OK to form a "Nightline BC" live open line network talk show 0005-0500 P.M. So far it's 0005-0200 P.M. & has good response. Phone numbers are for Vancouver & BC toll-free. Host is Rafe Fair. Stations: CHWK/CPVR/CKGO/CKGO-1-FM, CKAL-1050 & its 3 FM twins, CKOK/CBE/CKOO/CKOO-1/CKRP/CKOR-FM, CHUP/CHPQ, CPAX-1070, CPJC-550 & sister CFFI-FM & its 9 repeaters, and CJOI/CIVH/CPW/CFLD & those 50 watt 1prts plus sister CIBC-FM & its repeaters.



STORY ON PAGE 8

Greetings! and welcome to what seems to be the largest edition of this column typed from material sent here at least, in many a moon!

#### FOR SALE - RECEIVERS

ICOM R-70; modified per 6/13/83 DXN article, mint ex, orig. owner, complete w/manual. Selling only to raise capital for IC-745 transceiver. \$500 incl. shipping. (Bob Galerstein, 44 Center Dr., New Hyde Park, NY 11040; 516-248-6210 aftns. & early evens only.)

YAESU FRG-7; 500 kHz - 29.9 mhz. In vy gd physical and operating ex, w/orig. manual. \$250 Canadian, incl. shipping, or best offer. (Niel Welfish, 3900 Yonge St., #706, Toronto, Ontario, Canada M4N 3N6; 416-489-7307)

HAMMARLUND HQ-180AX(E); considered to be a rare one, available with S-200 spkr. Clean inside and out, but could use re-alignment. \$300 plus shipping, or pick up. (Jon Perge, 1575 Ditmore-Stroll, Newark, OH 43055)

RYCOM R-1307A/GR receiver, complete with manual. Price \$300 Canadian; shipping extra. (Sheldon Harvey, 79 Kipps St., Greenfield Park, Quebec, Canada, J4V 3B1; 514-462-1459, no collect calls, please)

EDDYSTONE EC-953/3-CAN; solid-state general covg. rx, built in 1972 to Cdn. Armed Forces specs. Used by Armed Forces monitoring stations. Complete with table model cabinet and manual. Have 3 units presently for sale. \$300 each, Canadian; shipping extra. (Harvey)

HAMMARLUND HQ-180AC, late model, with series 3 manual (dated 9/68), exc. ex inside and out, retubed, aligned, \$295, pickup only. (Dallas Lankford, 903 Sherwood Dr., Ruston, LA 71270; 318-255-6550)

DRAKE SFR-4, w/manual, xtal calibrator, noise blanker, 21 xtals (ECB, SW, Ham + others), exc. ex inside and out, \$285 includes UPS shipping. (Lankford)

YAESU FRG-7 w/ the following Radio West mods: 2.1 kHz. mechanical filter, switchable AGC, Digital readout (3 places), VLF converter, switchable antenna inputs, manual. \$350 or best offer, shipping included. (Warren E. Greenberg, 145 Cottage Rd., W. Roxbury, MA 02132)

EC-312-N rx, (Farnsworth) . Needs work. \$10 plus shipping or best offer. (Greenberg)

RBB-1 rx, Type CRV-46147. Needs work, manual incl. \$10 plus shipping, or best offer. (Greenberg)

HAMMARLUND HQ-100a, w/ 24-hr clock & Q-multiplier. \$90 plus shipping. (David Bartholf, Rt.7, Box 801, Phenix City, AL 36867)

#### FOR SALE - SERVICES

SONY ICF-6500W Modifications. Have available selectivity kits which include a Vernitron VTD-3-1 ceramic filter (4 kHz at 6db., 40 kHz at 60 db.), a DPDT switch, and RG-174U cable. Price for kit alone is \$25. Installed price, \$35. Send SASE for details. (Gerry Thomas, P. O. Box 2036, Pensacola, FL) 32513)

#### FOR SALE - ANTENNAS

RADIO WEST LOOP, w/ MW & LW & SW coils. Best Offer. (Joe Coleman, 157 Walton Pl., Lansdowne, PA 19050; 215-626-3376)

DRAKE AL-4 LOOP, for SFR-4; best offer. (Coleman)

WORCESTER SPACE MAGNET SM-2; Good ex, works well. 9w. battery operation. Will ship UPS prepaid for \$65 cashiers check or certified check. (Rick Kraemien, 814 Minnesota Cir., Carol Stream, IL 60188; 312-653-3057 after 6 p.m. CST)

PALOMAR ENG. LOOP w/ ECB Loop. \$50 or best offer, shipping incl. (Greenberg)

## 'Bureaucratic tango' delays American broadcasts to Cuba

MARATHON, Fla. (UPI) — A 50,000-watt radio transmitter that is supposed to be broadcasting the American point of view to communist Cuba remains silent in the Florida keys, bogged down in a "bureaucratic tango."

Radio Marti, named after 19th century Cuban independence hero Jose Marti, is still nothing more than static on the Cuban radio dial, two years after it was proposed by the Reagan administration and 15 months after it was authorized by Congress with an \$11.2 million budget for 1983.

On Monday, the birthday of Marti, another deadline will pass and the transmitter will remain off.

"Our position is when we have enough staff on board to put 14 1/2 hours of quality programming on daily, seven days a week, when we can maintain that amount of quality programming, then we'll go on," said Rogene Waite, spokeswoman for the Voice of America, which oversees Radio Marti.

"We're making pretty good progress but it's impossible to predict when the staff clearances will go through, when we'll get the right mix of people."

Congressional backers are tired of waiting.

"Quality broadcast material is on the shelf; the Cuban people are ready,

and I feel Radio Marti is also," Sen. Paula Hawkins, R-Fla., the main backer in Congress, said in a statement Thursday.

On paper, Radio Marti is designed to be a "surrogate station" for Cubans, in much the same way that Radio Free Europe and Radio Liberty serve Soviet and East European citizens. Its mission is to get around Castro's censorship with 14 1/2 hours of news and entertainment a day.

The signal would be sent 90 miles from Marathon to Cuba via radio airwaves that would blanket the entire island at night, and most of it during the day.

Radio Marti officials say the delays are caused by extensive security checks of the staff. Of the 188 employees authorized by Congress, nearly half have yet to be cleared.

"We are being extra careful that there are no Castro infiltrators in the group," said Stu Sweet, executive director of the presidential advisory board on radio broadcasting to Cuba, amid reports Castro sent spies to apply for the Marti jobs.

"It's the same kind of fear that exists here at the Voice of America when we're filling slots in the U.S.S.R. division or Eastern European positions,"

Waite said.

So the background checks go on by the U.S. Information Agency, the FBI, the CIA and others. About 30 workers are being cleared now, but as yet there has been no director hired.

A congressional aide who worked on the Marti legislation said some in Congress are fed up with the delays and tired of the excuses.

"We don't buy it. We are very frustrated that it is not on the air. It's been 15 months," said the aide, who asked to remain anonymous.

The aide said the new startup date is at least "one or two weeks" away.

In the meantime, those Radio Marti staffers who have been hired go through dry runs at the Washington, D.C. studios.

Congress members who have expressed concern to Reagan are Sen. Paula Hawkins, R-Florida; Sen. Lawton Chiles, D-Fla.; Rep. Dante Fascell, D-Fla.; Sen. Steve Symms, R-Idaho; and Rep. Jack Kemp, R-N.Y.

The station has been described by Fascell as "a lifeline to the oppressed people" of Cuba. Opponents call it an "electronic Bay of Pigs" that at the least will disrupt American broadcast operations and at worst will cause war.

## Radiation Measured at Radio Sites

By Phil Mayer  
Star-Bulletin Writer

Electromagnetic radiation at two radio broadcasting sites in Honolulu exceeds the exposure level recommended by the industry, a federal survey has found.

But Edward J. Minkel, the Federal Communication Commission's managing director, said at a news conference here today that none of the radiation produced by radio and television transmitters in Honolulu "poses an immediate risk to the public."

In a U.S. Environmental Protection Agency report released today, the agency said the intensity of radiation in magnet-

ic fields at two sites in Honolulu used by a total of five Oahu radio stations "exceeds the voluntary standard generally recommended as safe long-term exposure level by the broadcast industry."

Minkel, Doreen Hill, who is director of the EPA's radiation programs, and Carl Kohnert of the EPA's office in San Francisco spoke at a press conference in which the EPA released the findings of a radiation survey done here in May 1984.

Of the 21 transmitter and antenna sites checked only that in Kaimuki used by KAIM AM and FM — at 3535 Harding Ave. — and one located at 1701 Ala Wai Boulevard which serves KSSK-AM, KORL-AM and KIFI-AM at that time were producing magnetic fields at ground level which were more intense than the current broadcast industry standard says they should be.

AT THE Kaimuki site, the field was measured at 9 amperes per square meter — more than five times the recommended 1.83 amperes per square meter.

At the Ala Wai site, the field was measured at 2.85 amperes per square meter, which is less than twice the same standard.

There are no buildings as tall or taller than the tower in the Kaimuki transmitter's immediate vicinity. However, there are a number of high-rise buildings near the other transmitter.

Minkel, commenting on the survey, said "we recognized there are a small number of cases where the measured signal values exceed exposure guidelines" and "we will be working with the broadcasters and local authorities to either reduce the electromagnetic fields in the areas of concern, or restrict access by the public in those areas."

He also emphasized that not only are the readings in such circumstances strongest at ground level but also the readings diminish rapidly as instruments move out from the center of the field.

A-6 Honolulu Star-Bulletin  
Wednesday, January 23, 1985

COLLINS 2.9 MHz mechanical filter (Collins part # F455FD29). \$25 or best offer, shipping incl. (Greenberg)

HEATHKIT DX-20 Transmitter (needs new meter shunt) \$25 or best offer, incl. shipping (Greenberg)

RAA-201A Preamp (Bendix) \$10 or best offer, incl. shipping. (Greenberg)

MITEL MT-4325 Programmable Keypad Pulse Dialers - Touch Tone. \$200 Canadian; shipping extra. (Harvey)

FOR SALE - PUBLICATIONS

MILITARY MANUALS: R-392/URR; R-442/VRC; AN-RRC-6; AN/VRC-12; AN/VRC 43-49; RT-246/VRC; RT-524/VRC. Best offer. (Ken Romstadt, 2541 Schroeder Ct., Toledo, OH 43613; 419-475-3089 after 11 pm wkdys or anytime wknds.)

DC CIRCUITRY STUDY GUIDE; INTRODUCTION TO ELECTRONIC PRINCIPLES; FUNDAMENTALS OF ELECTRONICS; MAINTENANCE MANAGEMENT OF FIELD COMMUNICATIONS EQUIPMENT; FUNDAMENTALS OF RADIO; and many others. Best offer. (Romstadt)

DX NEWS - 25 issues available from Vol. 51. You pay the postage and they're yours! (Bill Hale, 9823 No. Meadow, Converse, TX 78109)

WRTVH; 1961, 62 & 64-present, incl. summer supplements. Best offer (John A. Callarman, 1122 Maple St., Mt. Vernon, IL 62864)

NASWA bulletins, 1970-82; IRCA bulletins from 1971. Best offer. (Callarman)

Communications World, Communications Handbook, all issues; several Elementary Electronics; Review of International Broadcasting #'s 4-27 & 32-45. Best offer. (Callarman)

FBI's, ?? & 79 Ham Callbooks, foreign and domestic, plus miscellaneous publs. Best offer. (Callarman)

FOR SALE - MISCELLANEOUS

POPULAR LP's from '50's and early '60's (no rock), package of 500 for \$500

WANTED - PUBLICATIONS

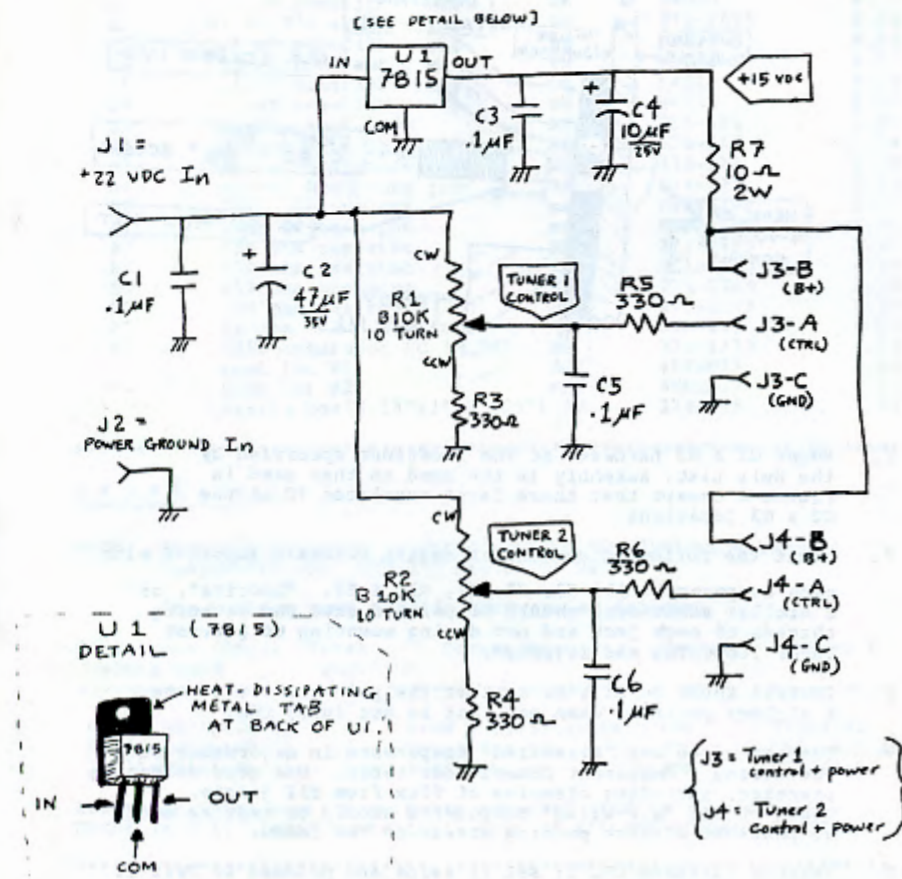
DX NEWS; Vol. 31 Nos. 12 & 16-19; Vol. 33 Nos. 31 & 33; Vol. 35 No. 10; Vol. 36 Nos. 3, 20 & 30; Vol. 38 No. 1; and Vol. 42 No. 2. (W. T. Farmerie, 62 Sunrise Av., Grafton, MA 01519)

DX NEWS; Any issues from Volume 42 or prior, for donation to the collection at Temple University Library. (R. J. Edmunds, 753 Valley Rd., Blue Bell, PA 19422)

Well..... that's it, unless Mike has some more from HQ to add here. In any event, he will hopefully add the deadline for the next edition of this column somewhere here below or on the front page.

Thanks for the support & 73

RJE



Mark Connelly, WA1ON 27 DEC 1984

Article 1 of this series, dated 24 OCT 1984 introduced the RT-1 remote antenna tuning system. Article 2 ( 26 DEC 1984) gave details necessary to build the remote tuner box part of the RT-1 system.

This article (RT-1 Article 3) provides information required to build an operating-position control box (DTC-1) capable of controlling one or two RT-1 remote tuner heads.

Construction details will follow the same paradigm used in Article 2: outline, parts list, hole list, and wiring & component-connection list.

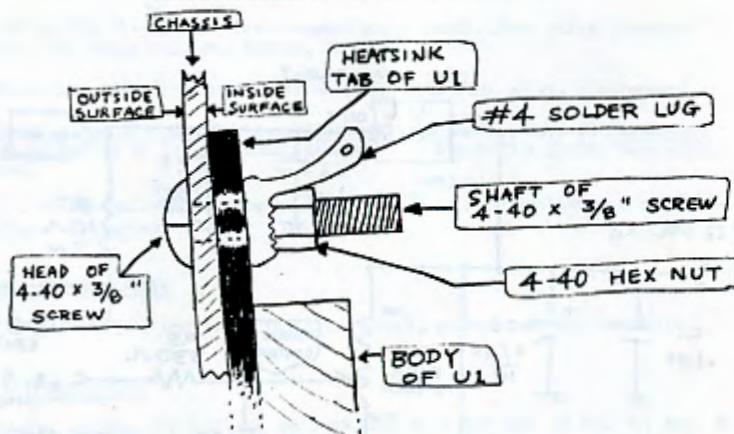
Part I: DTC-1 Dual Tuner Controller Box

Figure 1: DTC-1 Schematic Diagram

Construction Outline

1. Read this article thoroughly before starting the project. Keep a copy of the article in the work area.
2. Obtain the parts specified in the Level 1 & Level 2 Parts List. Organize them in work area.
3. Ensure that customary electronics tools are available: Refer to construction outline given in RT-1 Article 2.
4. Measure & mark chassis box hole locations; then drill holes (initially with a 0.113" bit, then with the final size bit if hole is to be larger). Consult Hole List.
5. Mount U1 to the chassis using G1 mounting / grounding hardware in accordance with Figure 2.

Figure 2: +15 V Regulator Mounting



6. Mount G2 & G3 hardware at the locations specified by the Hole List: assembly is the same as that used in Figure 2 except that there is no regulator IC at the G2 & G3 locations.
7. Mount the following components (using hardware supplied with each component): J1, J2, J3, J4, R1, & R2. "Loctite", or a similar substance, should be painted onto the mounting threads of each jack and pot during mounting to prevent later loosening and slippage.
8. Install knobs on R1 & R2 so that the pointers are at the 6 o'clock position when each pot is set fully CCW.
9. Connect wires and "air-wired" components in accordance with the Wiring / Component Connections table. Use good soldering practice, including cleaning of flux from all joints. Leads of all "air-wired" components should be kept as short as possible without putting stress on the leads.
10. Inspect finished DTC-1; set it aside and proceed to Part II (Cable Construction).

NOTES: Prices (current DEC 1984) are subject to change.

Level 1 list = electrical & major mechanical components  
 Level 2 list = small hardware (a total estimated price is given instead of item-by-item listings)

Stock #'s for mechanical (hardware) components and for fixed resistors represent packs having more than the needed number of components.

RS = Radio Shack - many locations  
 MOU = Mouser Electronics - 11433 Woodside Ave. - Santee, CA 92071  
 DK = Digi-Key Corp. - P. O. Box 677 - Thief River Falls, MN 56701  
 me = Mark Connelly - 30 William Road - Billerica, MA 01866

\*\*\*\*\*

Level 1

Component Designation	Description	Vendor	Stock #	(US \$) Est. Price
C1	.1 uF monolithic cap.	DK	P4525	0.18
C2	47 uF/35V electrolytic cap.	RS	272-1015	0.69
C3	.1 uF monolithic cap.	DK	P4525	0.18
C4	10 uF/25V tantalum cap.	DK	P2049	0.82
C5	.1 uF monolithic cap.	DK	P4525	0.18
C6	.1 uF monolithic cap.	DK	P4525	0.18
J1	banana jack (red)	RS	274-662	1.39
J2	banana jack (black)	RS	274-662	1.39
J3	stereo headphone jack	RS	274-277	1.39
J4	stereo headphone jack	RS	274-277	1.39
R1	10K, 10-turn pot	me	B10K-10T	3.50
R2	10K, 10-turn pot	me	B10K-10T	3.50
R3	330 ohm resistor	RS	271-1315	0.39
R4	330 ohm resistor	RS	271-1315	0.39
R5	330 ohm resistor	RS	271-1315	0.39
R6	330 ohm resistor	RS	271-1315	0.39
R7	10 ohm / 2 W resistor	RS	271-080	0.69
U1	7815 regulator IC (+15V)	RS	276-1772	1.59
--	knob for R1	MOU	45KN017	0.54
--	knob for R2	MOU	45KN017	0.54
--	chassis box (5.25"x3"x2.125")	RS	270-238	2.49

\*\*\*\*\*

Level 2

NOTE: Mounting hardware is supplied with the following Level 1 components: J1, J2, J3, J4, R1, & R2.

The builder must provide hardware as follows:

Components (Qty.) where used	Total Qty.	Description	Vendor	Stock #
G1(1), G2(1), G3(1)	3	4-40 X .375" screw	MOU	572-01881
G1(1), G2(1), G3(1)	3	#4 solder lug	MOU	565-1416-4
G1(1), G2(1), G3(1)	3	4-40 nut	MOU	572-00484

Estimated total cost of hardware actually used to construct the DTC-1 is \$ 1. Approximate total cost of all DTC-1 parts is \$25.

\*\*\*\*\*

### Hole List for DTC-1 Dual Tuner Control Box

BOX USED = (approx.) 5.25" X 3" X 2.125" aluminium  
(Radio Shack 270-238, or equivalent)

See RT-1 Article 2 for definitions of parameters X, Y, & D.

\*\*\*\*\*

#### LEFT SIDE

Hole #	Comp. Desig.	Description	X	Y	D
1	J2	GND In, banana jack	-0.375	0.5	0.3125
2	J1	+22 VDC In, banana jack	0.375	0.5	0.3125
3	G1	U1 mounting/GND hardware	0.0	1.25	0.113

\*\*\*\*\*

#### TOP SIDE

Hole #	Comp. Desig.	Description	X	Y	D
1	R1	Tuner 1 Control Pot	-0.875	1.375	0.375
2	G2	GND hardware (int. lug)	0.0	2.0	0.113
3	R2	Tuner 2 Control Pot	0.875	1.375	0.375

\*\*\*\*\*

#### RIGHT SIDE

Hole #	Comp. Desig.	Description	X	Y	D
1	J3	Tuner 1 CTRL/PWR Out, shaft	-0.625	0.625	0.375
2	J3	Tuner 1 CTRL/PWR Out, tab	-0.625	0.34375	0.14
3	G3	GND hardware (int. lug)	0.0	0.375	0.113
4	J4	Tuner 2 CTRL/PWR Out, shaft	0.625	0.625	0.375
5	J4	Tuner 2 CTRL/PWR Out, tab	0.625	0.34375	0.14

\*\*\*\*\*

#### Wiring / Component Connections for DTC-1 Dual Tuner Control Box

NOTES: W = insulated wire (approx. #22 AWG)  
BW = bare (solid) buss wire

Use "spaghetti" (plastic insulation) on all component leads longer than 0.5".

On J3 & J4 the A pin is that which mates to the tip end of the plug inserted; the B pin is that which mates to the plug's centre section (neither the A nor the B pin mates to the outer shell (ground)).

\*\*\*\*\*

#### Dual Control Box Wiring / Component Connections

##### INSIDE BOX:

From	To	Description
J1	J2	C1
J1 (+ of C2)	J2 (- of C2)	C2
J1	U1 In pin	1" W
G1 lug	U1 GND pin	2" W
G1 lug	J2	1" BW
U1 Out pin	jct. C3/C4/R7	4" W
G2 lug	jct. C3/C4/R7	C3
G2 lug (- of C4)	jct. C3/C4/R7 (+ of C4)	C4
J4 pin B	jct. C3/C4/R7	R7
U1 In pin	R1 CW pin	2" W
R1 CW pin	R2 CW pin	3" W
R1 CCW pin	jct. R3/R4	R3
R2 CCW pin	jct. R3/R4	R4
jct. R3/R4	G2 lug	3" W
R1 arm	jct. C5/R5	2.5" W
R2 arm	jct. C6/R6	1.5" W
jct. C5/R5	J3 pin A	R5
jct. C5/R5	G3 lug	C5
jct. C6/R6	J4 pin A	R6
jct. C6/R6	G3 lug	C6
J4 pin B	J3 pin B	2" W

#### Part II: RTC-50 Control, Power, & RF Cable Assembly (Length = 50 feet / 15 metres)

The control, power, & RF cable assembly, designated RTC-50 (Remote Tuner Cable - 50'), provides transfer of +15 VDC power, +0.7 to +22 VDC varactor control, and power ground between one of the DTC-1 control box output ports and the input port of an RT-1 tuner box. Furthermore, a coaxial section of the RTC-50 sends RF from the RT-1 tuner back to the receiver (or the input of an amplifier or phaser) at the operating position. Audio-type cable is used for DC transfer. The two 50' cables are tie-wrapped together to form a single assembly.

#### Construction Outline

1. Read this article thoroughly before starting the project. Keep a copy of the article in the work area.
2. Obtain the parts specified in the Parts List. Organise them in work area.
3. Ensure that customary electronics tools are available; Refer to construction outline given in RT-1 Article 2.
4. Prepare the RF cable by screwing an P-to-BNC adaptor onto each end. Then set the RF cable aside until step 8.
5. Strip about 2" of outer insulation from each end of the 50' Control / Power Cable (Radio Shack 278-1275). Then, at each end, remove about 0.5" of red-wire and clear-wire insulation.



- Assemble a stereo phone plug to each end by soldering control cable wires to plug connection pins as follows (use ohmmeter to verify wire-connection-pin -(to)- plug-section correspondence):

Designation	Cable Wire	Solder to plug pin that corresponds to:
A (Control)	red	tip of plug
B (B+) (+15v)	clear	central section of plug
C (GND)	shield	large ground section of plug (closest to cable)

- Wrap waterproof tape over areas at which each plug's solder-connection-zone-cover meets an insulated control cable end.
- Tie-wrap (at intervals of approximately 2') the RF cable to the control cable to permit about 1' of separated cables at the tuner end and about 5' of separated cables at the operator "shack" (receiver) end.
- Test finished RTC-50 with an ohmmeter for proper C & I (Continuity and Isolation). If two RT-1 tuner heads are to be controlled, a second RTC-50 should be fabricated.

Parts List for RTC-50 (50'/15 m.) Cable Assembly

NOTES: Prices (current DEC 1984) are subject to change.

There is only a Level 1 parts list for the RTC-50 cable assembly.

RS = Radio Shack

+++++

Level 1

Description	Vendor	Stock #	(US \$) Est. Price
50' coaxial cable w/F plugs	RS	15-1526	7.99
50' control cable (2cond.+shld.)	RS	278-1275	5.19
F female to BNC male adapter	RS	278-251	2.39
F female to BNC male adapter	RS	278-251	2.39
stereo phone plug	RS	274-285	1.49
stereo phone plug	RS	274-285	1.49
tie-wraps (package of 30)	RS	278-1632	1.59
electrical tape (roll)	RS	64-2348	0.49

(+ solder, as required)

Estimated cost of parts to construct the RTC-50 cable ass'y: \$24

\*\*\*\*\*

Automatic Sort-by-Frequency Program for DX Loggings

Mark Connelly -- WALION DX Labs -- 24 JAN 1985

Often the DXer has a need to put his or her loggings into order by frequency. This article presents a BASIC program which allows frequencies (and up to five lines of accompanying text data per frequency) entered in random frequency order to produce an output of logged stations in correct frequency order. This is of considerable benefit to editors of columns of loggings of DX by different club members. This version of the program provides both screen display and output to a disk file whose name is selected by the user. The disk text file may be edited further through word-processing software or it may be sent, as is or modified, to a line printer or other peripheral device. Those using computers not having disk text file output capability can modify the output statements to provide direct printing to paper.

The program can be configured to give an interim screen display of all frequencies entered so far during the run, in order, prior to final print-to-disk (or print-to-paper). This is handy during DXpeditions to give an idea of what's been heard so far, in a form which can help multiple-operator teams reduce inefficiency and duplication of effort.

A blow-by-blow / play-by-play description of the program should not be totally necessary, because the program is somewhat self-documenting and because a sample output file has been included at the end. Aside from frequency/loggings sortings, the program is readily adaptable to sortings of other kinds of data tying a number and descriptive text. Examples include part numbers/part descriptions, prices/items, times/events.

(Program Listing) (DEC PDP-11 BASIC-PLUS-2 V2.2-00)

```

5 PRINT\PRINT"AUTOSORT2.R2S"
7 PRINT"Automatic Sorting Program, with Text-File & CRT outputs"
10 PRINT"WALION DX Labs / Software Division: REV. = 24 JAN 1985"\PRINT
11 DIM T1$(200),T2$(200),T3$(200),T4$(200),T5$(200)
12 DIM E(200),F(200),FA(200),HA(200),HB(200)
13 STARS="*****"
14 M=1E30\ME=0
15 PRINT\INPUT "DATA OUTPUT FILE TITLE";S$
20 OPEN S$ FOR OUTPUT AS FILE #1
21 PRINT #1,STARS\PRINT #1\PRINT #1," This is file: ";S$\PRINT #1
22 IF ME=1 THEN 50
25 Q1=0\PRINT\INPUT "(1=YES) ARE INTERIM LISTS WANTED";Q1
30 D=0\PRINT\INPUT "(1=YES) INCLUDE DUPLICATE ENTRIES";D
35 T=0\PRINT\INPUT "(1=YES) INFO. TEXT ENTRY OPTION";T
46 X=0
50 FOR N=X+1 TO 200 \ REM UP TO 200 ENTRIES
60 PRINT\INPUT "ENTER A NUMBER, OR 0 TO STOP";F(N)
61 E(N)=F(N)\Q2=F(N)
62 IF F(N)=0 THEN M=N-1\GO TO 500
63 IF T<>1 THEN T1$(N)="NO"\GO TO 79
64 PRINT\PRINT"*** Maximum of 5 lines of text per number entered ***"
65 GOSUB 5000
67 INPUT "TEXT LINE 1";T1$(N)\IF T1$(N)="NO" THEN 79 ELSE GOSUB 5000
68 INPUT "TEXT LINE 2";T2$(N)\IF T2$(N)="NO" THEN 79 ELSE GOSUB 5000
    
```

```

69 INPUT "TEXT LINE 3";T3$(N)\IF T3$(N)="*NO" THEN 79 ELSE GOSUB 5000
70 INPUT "TEXT LINE 4";T4$(N)\IF T4$(N)="*NO" THEN 79 ELSE GOSUB 5000
71 INPUT "TEXT LINE 5 (FINAL LINE 1)";T5$(N)
79 IF Q1=1 THEN M=N\GOSUB 1000 \ REM SORTER
80 NEXT N
500 GOSUB 1000
510 C=0\PRINT\INPUT "(1=YES) ANOTHER COPY";C
520 IF C=1 THEN 500
530 PRINT\INPUT "(1=YES) MORE ENTRIES";ME
540 IF ME=1 AND C<>1 THEN PRINT #1\PRINT #1,STAR$ \CLOSE #1\X=M\GO TO 20
550 GO TO 10000
1000 REM SUB SORTER
1003 IF Q1=1 OR Q2=0 THEN PRINT
1005 IF C=1 THEN 1000
1010 FOR K=1 TO M
1020 FA(K)=W
1030 FOR J=1 TO M
1040 IF E(J)<FA(K) THEN FA(K)=E(J)\ HA(K)=J
1050 NEXT J
1055 G=HA(K)
1060 E(G)=W
1070 NEXT K
1080 IF D=1 THEN 1200
1085 IF C=1 THEN 1172
1090 L=0
1100 FOR J=1 TO M
1105 IF M=1 THEN L=L\HB(L)=HA(J)\GO TO 1172
1110 IF J=M THEN 1170
1120 IF FA(J)<FA(J+1) THEN L=L+1\ HB(L)=HA(J)
1130 NEXT J
1170 IF FA(J)>FA(J-1) THEN L=L+1\ HB(L)=HA(J)
1172 PRINT
1175 FOR J= 1 TO L
1176 H=HB(J)
1177 E$=STR$(F(H))
1180 GOSUB 2000
1182 GOSUB 3000
1185 NEXT J
1190 GO TO 1300
1200 FOR J=1 TO M
1201 H=HA(J)
1202 E$=STR$(F(H))
1203 GOSUB 2000
1210 GOSUB 3000
1220 NEXT J
1230 IF C=1 THEN 1350
1300 FOR J=1 TO M
1310 E(J)=E(J)
1320 NEXT J
1350 RETURN
2000 REM SUB LENGTH NORMALISE
2010 R=LEN(E$)
2020 IF R>10 THEN 2200
2030 FOR PX=R TO 10
2040 E$=" "+E$
2050 NEXT PX
2200 R=LEN(E$)+2
2210 E$=" "\FOR PX=1 TO R\E$=E$+" "\NEXT PX
2250 RETURN
3000 REM ** TEXTPRINT SUBROUTINE MODULE A **
3010 IF T1$(H)<>"*NO" THEN F$=E$+" "+T1$(H)\ELSE F$=E$
3014 PRINT
3016 IF Q2=0 AND C<>1 THEN PRINT #1
3020 GOSUB 3500
3030 IF T1$(H)="*NO" THEN 3490
3040 IF T2$(H)<>"*NO" THEN F$=E$+T2$(H)\GOSUB 3500 ELSE 3490
3050 IF T3$(H)<>"*NO" THEN F$=E$+T3$(H)\GOSUB 3500 ELSE 3490
3060 IF T4$(H)<>"*NO" THEN F$=E$+T4$(H)\GOSUB 3500 ELSE 3490
3070 IF T5$(H)<>"*NO" THEN F$=E$+T5$(H)\GOSUB 3500 ELSE 3490
3490 RETURN

```

```

3500 REM ** TEXTPRINT SUBROUTINE MODULE B **
3520 PRINT F$
3540 IF Q2=0 AND C<>1 THEN PRINT #1,F$
3600 RETURN
5000 REM ** TEXT ENTRY PROMPT SUBROUTINE **
5020 PRINT
5040 PRINT" ENTER INFORMATIONAL TEXT IF DESIRED"
5060 PRINT" HIT RETURN FOR BLANK LINE TO BE FOLLOWED BY TEXT LINES"
5080 PRINT" ENTER *NO IF NO FURTHER TEXT LINES"
5090 PRINT"DON'T USE , DURING TEXT ENTRY (choose alternate symbol such as ;"
5095 PRINT" ; then change to , with SEARCH/REPLACE in word processor pgm.)"
5100 PRINT
5200 RETURN
10000 PRINT #1\PRINT #1,STAR$ \CLOSE #1
10020 PRINT\QQ=0\INPUT"(1=YES) GENERATE ANOTHER FILE";QQ
10040 IF QQ=1 THEN ME=0\GO TO 15
10100 END

```

(Sample printout of a text file created by AUTOSORT2 program)  
 (Items were entered in random frequency order: 1510, 566, 1010,  
 890, 1165, 1214)

\*\*\*\*\*

This is file: AUG63DX.LOG

```

566 Ireland - Athlone - AUG 03 @ 0500 Z
Reels; jigs; other folk music REALLY GREAT SIGNAL on
car radio in my '57 Chevy convertible -- heard while
girl-watching at beach in Hyannis. (DeLorenzo - Mass.)

890 WLS - Chicago Ill. - AUG 28 @ 0900 Z
Surfin' music including "Surf City" by Jan & Dean.
Good level. Frequency measured at 890.000012 kc using
$4000 General Radio freq. counter with Nixie readout.
Covered by TA's before 0500 Z. (GPN - Mass.)

1010 WINS - New York N. Y. - AUG 20 @ 0245 Z
Good w/"Murray the K's Swingin' Soiree" - many soul hits
were played; signal peaked up well (despite Holland - 1007
splatter) during Fingertips Part II by Stevie Wonder.
Newfangled Loop Antenna helped. (Monferini-ITALY)

1165 Swan Island (or is this a flying transmitter ?) R.Americas
- AUG 15 @ 0330 Z - SS translation of a recent JFK speech
about Fidel's mother's army boots. Annihilating adjacent
WVA/KSL. (CMS-Ont.) + Ditto (Kneitel-N.Y.)
+ Likewise (RFS-Fla.)

1214 England - BBC Light Service - AUG 25 @ 0145 Z
Music by a British rock 'n' roll group - Name given
by DJ sounded like Beagles or Beetles. Often heard
at sunset on 8 transistor Realistic portable here at
beach cottage in West Dennis. (MC-Mass.)

1510 WHEX - Boston Mass. - AUG 22 @ 0100 Z
Arnie "Woo Woo" Ginsberg show featuring ads for 25 cent
cheeseburgers & $1 clam boxes at Adventure Car Hop
in Saugus. An ad for a Esso service station in
Medford mentioned 29 cent/gallon gas. (Slater-UK)

```

\*\*\*\*\*

Paul Swearingen

7310 Ensign Avenue, Sun Valley, CA 91352

The opinions expressed in this column are those of the individual writer and do not necessarily reflect those of the Editors, Publishers, or the National Radio Club, Inc., or its subsidiaries.

Times are local per Muse.

we're back again, and we hope it's in the Feb. 11 issue where we belong, hi! Thanks to contributions from the Hardys and Patrick O'Connor, our theme this issue highlights domestic DX'ing. By the way, if you don't want to take time to calculate when your theme contribution should be mailed to make the deadline (each Saturday), just send it in a little early and I'll hold it a week or two for the proper time. However, if it contains time value information, such as DX you've heard, I'll go ahead and run it. Our next deadline, Feb. 16, will be for the issue featuring your top three favorite BCB stations, either DX or for programming. #22 (Feb. 23) will contain comments from present and past employees of the broadcast media, and #23 (Mar. 2) will be dedicated to comments about your favorite paper/tape verie. And we'll ask for your top three wanted unheards in #24 (Mar. 9). Perhaps we'll get some exchanges of ideas on how you can hear them. And now, on with it, but first a word from our sponsor!

Take part in an NRC project! Send phone numbers of your local BCB stations to Albert S. Lobel - P. O. Box 26762 - San Diego, CA 92026.

**Patrick O'Connor** - Plain Road, Box 377 - Hinsdale, NH 03451 (pm 1-11; rec'd 1-14)

Greetings to all from frigid New Hampshire! DX has been good lately. I was considering selling my backup rx, the famous FRG-7, but decided to give it one more whirl through the BCB. WOW!! 8 good receptions in 3 days: 1-8: hrd WHGP-NE coming in instead of WPIA; then went to 610 for WIP-PA, and topped it off by pulling WPTF-NC out from under WRKO-MA! 1-9: Saw clear, but somewhat noisy, receptions of WDEV-VT and WCON-MA. Although not a true first reception for either, it was the first clear enough reception of either to try for a verie. Then found a good signal on 1070. First assumed was WKOK-PA; but was pleasantly surprised to get solid ID on WNCT-NC. Topped it off last night (1-10) with a somewhat brief but solid reception of WXYT-MI. I do believe I'll use the FRG-7 on BCB for a while and use the DX-302 for other DX! /// Must mention what must be the most useful QSL of 1984, a report received from WJNR-MA, written on a 1985 calendar. /// 1984 saw 68 reception reports go out, of which 52 were first-time loggings. To date, 36 replies are in. Total BCB is now 182/126 for 25 states, and 7 countries. I'm not too interested in TA DX; I'd rather chase domestics and leave the TA's to those with a better location. That's all for now; take it easy and get some good DX!

**Bill Hardy** - 2301 Pacific Ave. - Aberdeen, WA 98520 (pm 1-24; rec'd 1-26)

I'm too busy this week to write a long Musing, but I wanted to be in the "domestic DX'ers" issue because that's my specialty. Not only do I DX primarily for U. S. and Canadian stations, with most of my foreign DX being the type I just happen upon, but I'm also the Project Coordinator for one of the two major reference books for domestic broadcast-band DX. The NRC Log is the most important one, and I handle the other, the IRCA Almanac, from the International Radio Club of America. It looks like a new edition of the Almanac will be out by the end of 1985. However, the third edition (1983) is still available from the IRCA Goodie Factory - 1017 W. Manhattan Drive - Tempe, AZ 85282. Tell them you're an NRC member and you'll qualify for the IRCA member price of \$5.50. You can have regular comb-binding for a self-contained volume, or you can specify "looseleaf" and get pages to insert in your own ring binder - it's 5 1/2 x 8 1/2 size, unlike the new NRC Log. More on this later as it progresses. Meanwhile, if you don't have the newest NRC Log, what are you waiting for? Send \$9 to NRC Publications Center - P. O. Box 164 - Mansville, NY 13661. Enclose an extra 60 cents in cash or stamps and they'll also send you the Log Updater. 73 and good DX.

**Nancy Hardy** - 2301 Pacific Ave. - Aberdeen, WA 98520 (pm 1-24; rec'd 1-26)

Here's a Musing from this domestic DX'er! Ever since I began BCB DX'ing in 1969 I've always been a strictly domestic DX'er, even though I have a degree in Spanish. DX has been pretty good here the past couple of weeks. 1-8: 7:13 pm hrd man with loop tape on 1610 which turned out to be Chief Joseph Dam, WA. Had tentatively hrd it before, but this time hrd clear "located 525 miles upstream from the mouth of the Columbia River, Chief Joseph Dam is a key element in the Columbia River hydro-power system ..." 1-10: KEAP-980 in very weakly with s/off at 5:02 pm. 1-13: Hrd another Alaskan, KCBF-82 jingle ID at 10:39 pm into oldie. 1-19: KSOP-1370 finally hrd at 4:11 1/2 pm with "More country, K-S-O-P" jingle after ad. Pair with CPOK and KAST nulled, no KEEN yet. 1-23: KUUY-870, ex 1530, with TC and "Cheyenne's Favorite" slogan at 6:57 pm, csw tune, 7:00 pm "RUUY Orchard Valley-Cheyenne" into CBS nx. Good o/KORD. I've heard they moved to 870 from 1530 on 1-10 or 1-11. After listening to them a while I turned the loop around and hrd mentions of Kandoops and Salmon Arm, BC. That caught my attention, so I listened till an ID came on at 7:30 pm. Turned out to be CKIR, Invermere, BC. Don't know when it came on the air. Perhaps in the past few days! They use the slogan "Shuswap Radio." The 7:30 ID mentioned all the stns on the network (Salmon Arm, Golden, etc). Was quite a surprise! Just in case no one has reported it yet, KILK-1400 Goldendale, WA is now on the air. They were heard here on 1-3 5:13 pm with ID after Oak Ridge Boys song (csw format). They were also on 1-7

12:14 am with ET, call letters and location repeated over and over. Well, that's about it! 73 and 88.

**Gary Mitchell** - Box 1003 - Fairfield, CT 06430 (pm 1-14; rec'd 1-19)

It seems it's been so long since I wrote anything that I am just submitting to keep myself out of obituary columns. Paul has been doing an excellent job and as I predicted long ago with his taking the Musing section we would have western input. Earlier the NRC was like everything was in the northeast. Hate to talk about the Democratic IRG, but have let my membership lapse. It is my feeling that they have no leadership promotion. Not once do I think anybody ever asks members; please submit! Well, have been pretty well occupied with amateur radio 160 meter DX'ing for the last couple of years. Of late getting sick of an environment where to operate means one should be under influence of 50% amphetamines and 50% male hormones (?? -pls). What a collection of some characters! Listening to a radio like BCB listening can be so passive vs. such. Hobbies are what one enjoys and when one loses the enjoyment, time for a break. About BCB listening ... I sure wish stations QSL'ed. I still say, QSL them! But the FCC sure is creating a lot of garbage lately. DX'ing? I guess it's nice to have a pile of new stations but DX'ing? I think my buying spree of BCB radios paid off. I probably have the last of the good ones. 2 Sony ICF SSW's, Radio Shack TRF, Sony ICF-2000, Kenwood R-300, 2 GE Superadios, 1 GE Superadio Plus, ICOM 720A, modified Yaesu FRG-770, plus others. I was radio crazy at the time. Now I don't see much of anything for good BCB AM. (Try the Sharp FV-610; it's superb on FM also -pls) Loophole these days is sensitivity is not needed. (?? -pls) Selectivity, yes. Need antennas that can separate the mayhem. I still think good car radios are amongst the best. I rented a car out Paul's way last year that the radio was so good I could not give back the car. Where have I been the last year? (Thanks for the comments, Gary, and no problem on single-spacing, but PLEASE don't type Muses in caps, ok? -pls)

**Jim Hilliker** - Anaheim, CA (pm 1-19; rec'd 1-21)

(714) 991-3839 Hello, NRC'ers. It's been too long, but I had a terrific holiday season. Thanksgiving was a blast above Carmel Valley, CA in the hills. I didn't do a lot of DX'ing, but what I did do was fun: daytime bandcans, taking notes on local stations and hearing strong TP's like 1044 and 1206 bomb in after midnight. I visited a few stations on the way home like KNRV, KHMC, KRKC, and KPRL. The first 2 are regulars in most parts of S. CA, but KRKC is a bit tougher and, depending how close you are to KGPJ, KPRL has been heard quite often. KNRV was the friendliest staff, after I told them how strong they come in at night in Anaheim. They invited me in the control room, and the DJ and CE talked DX with me for quite awhile. They also demonstrated their AM stereo system to me, and it sounded quite good; can't remember if it was Harris or Motorola. I notice after the class TV's raised their power, KNRV is still atop 1240 quite often here. I notice generally the same clutter; the old dominants are more dominant. I've noticed only 2 exceptions; one day, 12-19 got KSIL-1340 during s/on at 0730 EST and a station that seems to be quite rare; heard new catch KIKO-1340 Miami AZ at 0759 s/on, very weak. The other new catches since last Musing are WABC-770 on 12-3 with KOB off, KHOT-1250 and KRVZ-1400 Springerville, AZ; another rare catch here. Have received about 7 or 8 veries lately, but 2 made me quite happy. KSIM-1390 rcvd. after 2 years! I never sent a follow-up, and I'm glad it came through since KGER is NSP, just a month or so after I heard KSIM. And WTAI-1560 PL rcvd. in a month after a follow-up. Totals now 518 hrd, 163 veried. DX is now a little on the slow side, as my last new catch, KIKO, was logged 1-14. But I'm looking forward to 1985, DX-wise and in my personal life. The good news is that I'm getting married this summer. I asked Laura Pederson the big question on Christmas night, and that was very exciting. I've been dating her since we met at a Beverage DX outing at 29 Palms, CA in March of '82. I love her very much and look forward to our life together (Congrats, Jim -pls). I'm trying to see that DX'ing is only a hobby, instead of almost living it every day, as I did the past 3 years. What else is new? Well, the Orange county Arbitron ratings came out recently for the period Sept. 20 to Dec. 12. A big surprise came to the station I work at, when we found out that KYMS was number 1 in the market with a 2.1. They count 9 stations in the market, with KNCS (FM) a 2.0, KEZY-FM 1.3, KWIZ-FM, 1.2, KIKF .9, KOOM .8, and KWIZ-AM a .6. KWE and poor KEZY-AM had no numbers. Even though they rate how the Orange County stations are still separately against each other, the book also shows Orange County listeners are still listening more to Los Angeles market stations, with KIIS-FM a 9 or 10. The new home for Larry King in L. A. now is KMPC-710, midnight to 5 am PIT. Local KEZY has a 5th tower up, shorter than the other 4 so it doesn't need to be lighted. This is in preparation for testing their 10 kw directional CP, so it's still 5 kw days (actually 3900 watts NS) according to their engineer. The night is still 1 kw directional, but they've got a CP to move to a site for 2500 watts directional at night. The new nighttime site will be northeast of Brea, CA east of Highway 57, near the Orange-Los Angeles County border. Since KWIZ went 5 kw a few months back, 1470 and 1490 are almost impossible to DX. And the 4-tower pattern is much more difficult to null than the old 3-tower pattern. Also, I forgot to say that KEZY-1190 is using a satellite service for their music, a hit radio format, so no live DJ's there anymore. Don't know which satellite net it is, though. That's it for now, folks. Here's to a great 1985, and I'll Muse again when I have the time. Best of DX and 73 till

then.

**Albert S. Lobel** - P. O. Box 26762 - San Diego, Ca 92126 (pm 1-21; rec'd 1-22; rec'd 1-24; rec'd 1-25) (619) 484-0604 or (619) 566-0092. The telephone number project for the NRC Log is really going great. The contributions just keep rolling in. I'm going to have to get started with the typing. I hope to be able to keep my promised deadline of 1 APR 85. If not all stations are shown at that time I will keep asking for contributions and add them as time goes by. Hopefully, eventually all stations will be included. If you'd like to help, send me a list of your cities' radio stations with the telephone numbers and I'll include them in the list. Please tell me what the numbers are: studio line, main office, transmitter site, contest line, etc. If you'd prefer to phone in your contributions you can do so. The best time to reach me in person is between 0800 thru 0830 PLT on Monday, Tuesday, Wednesday, Friday, and Saturday. Or you can also call any evening except Saturday from 1900 thru 2145 PLT; you'll get the answering machine. I run my business out of my home (appliance repair). No collect calls will be accepted and don't expect a return call. One more thing - please, remember my first name is "Albert", not "Al"! I do not like to be called "Al"! At the present time I am just an NRC member as far as BCB clubs go. I am a little upset with IRCA. Seems like no one ever notified me of my IRCA membership expiring, and I'm having a hard time finding out information. I hope to remedy this soon by a phone call to either Rich Segal or Bruce Portzer. I enjoy being a member of both IRCA and NRC. Other DX clubs I belong to are WIFDA, LWCA, SCADS; and I'm member #13003 of the old Radio Canada Shortwave Club. I also may soon join ASWLC. I haven't done much DX'ing lately but not because of a lack of interest, just a lack of time. This is the slow season for appliance repair so maybe I'll get back to some DX'ing soon. I have been doing a lot of shortwave listening in the early evening hours while I do my books. Those of you who know me know that besides being a DX'er that I collect "Old Radio Programs" I haven't done much of this lately either but do have a fairly large collection of "Old Radio Programs". In "Musings" that appeared in *DX News*, V. 52, #15, there was more talk about AM stereo. It is true that AM stereo is still quite new, and there are not very many receivers on the market that can pick up AM stereo at the present time. This DX'er is one of those who currently does have an AM stereo receiver. It is a Sony SRP100 and does a real great job of receiving all four types of AM stereo. In a previous *Musing* I made an offer to NRC'ers to record a half-hour of two different AM stereo stations if any NRC'er would send me C-60 cassette tape. The same offer still applies. Send me one good quality C-60 cassette tape (no cheap types) with a stamp sufficient for return postage for two ounces. (Remember that postage will go up to 22 cents on 17 Feb 85 and your tape may not be returned by that date. So be sure to include 39 cents postage with your tape.) Also, be sure to tell me if you want me to use Dolby B on the tape or not. If you do not say I will use it anyway. My cassette recorder is a professional model (Philips N2535) and does an excellent job on just ordinary ferric oxide tape (18,500 kHz) (Hz? -pls) so you do not need to send me a CrO2 or metal tape. In fact, it cannot accommodate metal tape. As for my opinions of AM stereo, I think it's great! The fidelity is almost as good as FM stereo on most stations and just as good on others. A very good example of a good quality AM stereo station is my local KPMB-760. They broadcast all San Diego Padre Baseball games in AM stereo and it sounds like you are right in San Diego Stadium. Today and in two days KPMB is going to rebroadcast the last three games of the National League Playoffs. I plan on having my tape recorder ready to copy the games in their entirety. While it will not be possible to get the entire three games on one cassette, I will be willing to record a half-hour of any one of the games on your cassette if you would like. I will be using my reel-to-reel tape recorder to copy the games. Well, I'd better get started on some typing of that telephone number list! Keep the contributions coming in and I'll keep typing. 73 and good DX in '85 to all NRC'ers; ASL.

**Greg Ledbetter** - Box 953 - Purvis, MS 39475 (pm 1-21; rec'd 1-24)

Greetings once again from South Mississippi. DX is about average around here for this time of year. I ended 1984 in pretty good shape - 1,124 stations had been heard through year's end, and already halfway through January I've heard five more. Of the 22 heard since my last *Muse*, some special ones include KTUN-1180 (TX), at times battling a strong WQKE; KTKZ-1560, which, according to my findings is in the Austin, TX area and heard fair from Pasadena; KSJL-760, coming in audible enough for an ID within all the KTRH splatter (also logged from Pasadena); two new ones from Oklahoma - KOXY-1340 and KWOK-1530 heard from the home grounds; KMIL-760 heard all alone at sundown 1-5 and every evening since; WBO-1040 and WSSS-1030 are the newest additions. /// Was disappointed not to be able to hear the WETS-790 test. WNC was too strong for it, which I figured might happen. Also under WNC's talk show I heard some country station playing the Judds' song "Why Not Me?" right about test time for WETS (11:30 Central); KOXY-AR was my guess. But they've been heard before. /// Going back a bit on Dec. 6, I had a good afternoon outing. Conditions were making it possible for stations on the Gulf Coast from Lafayette, LA (logged KQGW-1520) to Pensacola, FL (had a fair signal on WCOA-1370) were heard in a couple of cases very well. WMP-1580 was walking all over local WOKV, and at 90 miles away WABB-1480 Mobile, AL sounded like it was coming from Hattiesburg. I took note on all these between 2-4 pm (central) that day. WMP still appears at times. /// A few local notes: WSY-1230 adding a call-in show

to their noon line-up following Paul Harvey; neither they nor WFOR have been heard here since the graveyard channels went 1000 watts fulltime. Also, we're still waiting for WRGU to go 5000 watts. They've been trying to raise a pile of money for new equipment and such (try \$162,000). They've also gone noncommercial, except for the CNN related things that needed to be retained so the CNN news could continue. /// As a veteran listener to WFIX-690, thanks for the profile (issue 11). I did some freaky things in those days. Like setting all the pushbuttons on the radio to "690 AM". But most of the time I also gave WNOE-1060 equal time. I related a while back my biggest memory of WFIX (the \$100,000 "un-payoff" in 1977). In the article it mentioned WABC and WLS being inspired by WFIX. Locally, the now-defunct WXXX-1310 was said at one time to be copying TDX, as they were playing much of the same stuff, before Awareness Christian Broadcasting took over. When I was in Houston at Christmas, as I listened to KNWZ-1230 or KRBE-1070 with their classy hits formats, the "good ole days" of WFIX came to mind. /// Need some info. I've succeeded in logging WSSS and WBO, being aware of the time when KCTA and WHO begin to drift in. I am also trying for WBTW, but have had no luck on 1040 except for WBO and KPBC. I have been trying mostly at sundown. How have some of you other DX'ers done with it? I thought about trying at sunrise, but having to rise at 6 am to be at work at 7 am eliminated that. Saturdays and Sundays I usually sleep well on past sunrise. Another channel I'm looking at is 880. Target: WMOB, Nashville, TN. WNL has given me no problem to DX on 880, as I've logged KRWN and KIKR at sundown. /// Flash: Noticed 1-17 that KQXX-1560 has got a news/talk format now. /// I received the 7th NRC logbook back in early November, and it is easier on my eyes this go 'round. Would like to know a price and an address on the latest Vane Jones logbook (Century Print Shop - 6059 Essex - Riverside, CA 92504; not sure of the price -pls); my 1981 copy finally played out. This guide, along with the NRC book and the White's logbook make good companions while BCB DX'ing. More next time. 73.

**Pete Kemp** - P. O. Box 73 - Bethel, CT 06801 (pm 1-21; rec'd 1-24)

Greetings all ... Brad Crandall, former talk show host on WNBC in the late sixties and busy voice-over announcer, has landed the plum job of replacing the late John Pascenda as the voice of NFL Films ... Shamrock Broadcasting has agreed to purchase WBB-AM ... WNYC has filed an appeal over the verdict awarded to WOOD concerning nighttime broadcasting. In the interim, WNYC stays on the air after sundown in Minneapolis ... Gene Klavan, long associated with his partner Dee Finch on WNEW for 25 years, and up until 2 years ago solo on WJR, is returning to the Big Apple broadcasting scene, only this time as a television contributor to WCBS-TV's News at Five ... A year or so ago in my *Musing* I talked about a popular program on the BBC, where they sent computer programs over the air. Listeners would turn on their cassettes and receive software in this manner. I had heard that a station on the west coast was also experimenting with this technique. I noticed in a current issue of *Monitoring Times* that KAMT-AM in Tacoma would be the first of 485 standard broadcast stations to experiment with this educational software over-the-air project. An agreement with Microperipheral Corporation and Learfield Communications Corporation in Jefferson City, MO, will be providing stations with material for broadcast. The listener would need a \$60 interface to load the software ... So much for now.

**Paul Swearingen** - P. O. Box 4812 - Panorama City, CA 91412

Not much important to relate this *Muse* ... new address and new mode of transportation impending, as since the transmission of the mated Colt disintegrated, I've been depending upon public transportation to get to work and bicycle ('40's vintage) for closer needs. Send an SASE to the above for info about the Martens loop. 73.

DETROIT, MICH VIA WJLB

JANUARY 17, 1985 **the Monitor**

## 1985 NRC LABOR DAY WKEND Convention

Details coming soon.....Watch for them here in your favorite #1 AM DX Magazine!

Plan your vacation around the NRC Convention !!!!

The Date: August 30th - September 1st

**RADIO ACTIVITY**  
CFCO (630 AM), based in Chatham, has asked the Canadian Radio and Television Commission (CRTC) for permission to establish an FM station. Three Southwestern Canada communities have already written to the CRTC in support.

No word from the CRTC on when they'll decide and, should they approve, where it will be on the dial. All tricity Detroit and Windsor commercial FMers are speed every 8 on the FM band from 92.3 and 107.5, with Flint, Monroe, Ann Arbor and Sarnia signals sandwiched in between. Frequencies from 88 to 91 are reserved for educational, public and CBC stations.