



NEW ZEALAND DX TIMES

Registered at P.O.H.Q. Wellington as a magazine

VOLUME 26 No. 10

JUNE 1974

BOX 2956

WELCOME to the following recent arrivals to League ranks: Peter Greener, A.R.Allison, Stuart Forsyth, Brian Molloy and Tony Miratabo of Auckland; John Slater - Waiheke Island; Peter Hull of Hamilton; R.J McGregor and Rob Purkiss of Tauranga; John Burgham - Eltham; Peter Ellery - Fielding; D.M.Burrowes and Peter Middleton - Palmerston Nth; Mark Nicholls of Taupo; T.C.Symmes, Roy McLaren and Martin Jarvis of Wellington; Stephen Chisnall and Kevin Jensen - Nelson; Miss Martine Cuff of Milton. From Australia, greetings to: Charles Millard, Stephen Phillips, Charles Richardson, Dick Whittington, William Whiting, 'good egg' Keith Ashton. Bo Sward - Sweden, John Lehner - Papua/New Guinea and James Jones of the USA complete this truly international listing. Best of DX to you all!

EQUIPMENT SURVEY. Many thanks to the many members who have contributed for this feature in recent months. Lack of space makes this a low-priority item but we will run your contributions as soon as possible.

ANSWERS TO CORRESPONDENTS: Murray Robson asks for the location of the VOA station operating on 7150kHz at 2139 GMT in English. According to current VOA Frequency Schedule this is Kavala, Greece with 250kw to the Middle East commencing at 2000 GMT. Details of your Chilean in Bandwatch, Murray. Anne Woods heard a station at 1600 GMT with an identification like "Orient Radio". Without an approximate idea of frequency it is impossible to even make a guess, Anne. Jon Pearkin has our sympathy. He's just moved to Yellowknife, in the Canadian North West Territories and is so far north that currently it never gets dark enough for any MW DX! Will be a different story in the Fall, Jon! John Bathurst comments that he has never received a copy of the "DXing made Easy" publication, and that his B.O.M. points list may be out of date. As a relatively recent production, there will be older members who haven't this guide. It is distributed to all new members and when printed it was considered that most of the contents would be common knowledge to existing members. However a copy is available to any member on application to Box 1313, Invercargill. The new countries/points list is currently being printed. Craig Tyson - thanks for your Indonesian notes. Will try and feature next month.

HIGHLIGHTS THIS ISSUE.

Brazil widely heard with new 250kw transmitter.
An easy-to-build SW Antenna Tuning Unit.
Broadcast Band Station of the Month - PJB 800.
Record contributions to SW Section - 5 page trail!
Finals of six-monthly Ladder Competition
DXER'S TRIP TO AUSTRALIA - FULL DETAILS!

**Rádio
Nacional de
Brasília**



CLOSING DATE FOR NEXT ISSUE: WEDNESDAY 3 JULY. PLEASE SEND DETAILS OF YOUR DX, QSL's, B.O.M. ENTRIES TO BOX 2956, WELLINGTON. 73 in 74!

FROM THE BRANCHES 2

SOUTHLAND. The monthly meeting was held at Neville Henry's with 14 present, a welcome being extended to Cliff Shirrefs, formerly of Oamaru. After business, competitions and reports of what had been heard by members, Irene Simpson read an article on writing a reception report from a recent issue of the IRCA bulletin. Competitions: BCE Sutton Burtenshaw with CMJF 1190; merit to Ray Crawford with British Forces, Cyprus 890. SW awards to Steven Greenyer with F & P, Moscow 21600 and Monte Carlo 6035.

OTAGO. 7 attended the May meeting held at 45 Doon Street, Mosgiel. Feature was an interesting tape from Arthur Cushen and another tape quiz was held. Results of Competitions: S* Over 9 - RSA 15220 Phil Garden, Under 9 - VOA Liberia 3990 Graham Font. BCB Over 1050 - Radio Paradise Graham Shillito, Under 1050 - WIBW Peter Jackson.

WELLINGTON. 8 keen members visited the Mount Kau Kau transmitting site of WNTV -7 on 26 May. Branch member Philip Bolton gave an interesting talk to those present as the facilities were inspected. Competitions: BCE Nth Am.- WNVY 1230 250w Dene Lynneberg, Open - CMJG 1270 1kw Bryan Clark. SW Junior - Kabul 15195 Nigel Robins, SW Senior - Aden 11770 John Mainland and Kabul 3390 Dene Lynneberg. All members are welcome to attend the next meeting at 7pm on Monday 24th June at Bryan Clark's, 47 Upper Watt Street, Wadestown when Arthur Cushen will be guest of honour.

Arthur Cushen is meeting League members at 3 points on a forthcoming North Island visit; at WELLINGTON (as detailed above), at TAURANGA on Sunday afternoon, 23 June (for details contact Paul Frost, 286 Otumoetai Road), and at WANGANUI at 7pm on Sunday 16 June at the Grand Hotel.

FROM HEADQUARTERS

25TH ANNIVERSARY CONTEST: Entries must be in the hands of the Competitions Secretary, P.O.Box 7313, Invercargill by 30 June 1974. Participants should refer to the DX Times July 1973 issue for entry requirements.

COLUMBUS TROPHY. Branches are reminded that the competition year concludes on 30 June and branch entries for the Hope McGregor Memorial, Albert Stanton and Columbus Trophies must be in the Competition Secretary's hands by 31 July 1974.

EQUIPMENT FUND. Grateful thanks to the growing number of contributors to the fund. Arthur Cushen's generous donation is the result of sales of the 1974 "How to Listen to the World." Following discussions with Magcom, Adcom are now finalising a schedule of equipment which, when purchased will ensure that the Times staff are well served for many years to come.

Acknowledged to
date: \$138.00

This month:

Hans de Jong, Tasmania.	5.00
Peter Grenfell, Camaru.	2.00
Anon, Southland.	10.00
Robin Chambers Opunake	2.00
T.Symmes, Wellington.	0.80
Arthur Cushen, In'gill	45.00

Total contributions: \$202.80

ATTENTION AUCKLAND DX-ers !

Anyone interested in forming a branch of the League in Auckland is invited telephone Graeme Dixon - 45830 Henderson or Deryk Duffy - 37874 Henderson. Deryk's address is 57 Chorley Avenue, Auckland 8. Good luck fellahs!

Branch Notes for WAIKATO-BAY OF PLENTY. The branch is looking forward to the June quarterly meeting on the 23rd and all League members are invited to meet Arthur Cushen on this occasion. Telephone Paul Frost at 65864 if you plan to attend. Branch members are always keen to hear from DXers visiting their area. A DXpedition is planned at Ohope Beach near Whakatane in September.

COMING VERY SOON...THE NEW NZRDXL COUNTRIES LIST/COMPETITION POINTS LIST.

BROADCAST DX

3

The past month seems to have been a comparatively quiet one but highlights are: Congratulations to Merv Branks, one of this section's stalwart contributors, on attaining 2000 QSL's. This grand total includes several world records for medium wave, including the Most New Zealanders, Most Australians, Most Oceania, and possibly the Most Asians. Let's hear more of these Merv !

Latin addicts will envy Sutton Burtenshaw's QSL from elusive Radio La Cronica 1320. He received a reply in three weeks after using the sample report from the April Times contributed by Chris Davis.

Robin Chambers has logged Vila, New Hebrides on 1421 khz. A check by your editor on the SW outlet 3945 opening at 0600 GMT gave a medium wave frequency of 1420 and power of 1000 watts. David Ricquish, who has long sought the identity of a French speaking station around this frequency has been advised by ORTF director in Noumea that when a new TV relay is completed 3000' up Acoupinie in August or September 1974, a 4 kw medium wave station for 1420 will also be installed. An NZBC technician recently back from Vila stated that the frequency was 1440. Someone will be moving perhaps. And then there's 2AP on 1420 ! Pacific Crunch ! That popular DJ Keith Ashton is at it again ! Formerly with Radio Otago, Radio Hauraki, 1XH etc etc Keith is now with 4LM Mt Isa, Queensland, 1370 khz. Every Sunday morning from 2 to 7.a.m. NZT for the next twenty weeks, 4LM is running a competition to find its most distant listeners. They are seeking letters rather than reception reports and will reply with a little surprise to each contributor. Why not listen in ?

Space permitting, a regular feature commencing with this issue will be a broadcast band Station of the Month, providing background details of currently heard stations for the benefit of a newcomer to MW DX.

MERV BRANKS, Invercargill lists reports as 2YC 2DU 2WG 3WV XEROK 4QS 6XM KGU KDNT HLAU. Veries back from JOKD Lille 1376 6PM 3XA WBZ and HLLA.

SUTTON BURTENSHAW, Invercargill has logged 1YZ 2YZ WXLE (third) and HJDZ. Veries from OAX4I 1320, CMJP WHEM WFAA Cairo 818 and Kaunus 1385.

ROBERT CHESTER, South Australia has reported 1XX and QSL'd 3WV and 1XX. Editorial duties and DX don't easily go together Robert !

ROBIN CHAMBERS, Opunake has reports to YVRS 4QY Vila 1421 4GY KISA and Dubai 1248. Veries in from Beromunster 1562, Krasnoyarsk 593, Suva 560,710, AFNT 1550 WACK Dakar 764 and 4QY. I would be happy with quiet months like that Robin.

ERIC MCINTOSH, Invercargill has logged VL2NI 6KG 6XM DYLA AFNT 1570 Sharjah 1535 Kuwait 1133 TWR Cyprus 1232. Veries from AFNT 1570 TWR Cyprus 1332. Eric's new Drake SPR4 is in the Southland Branch spotlight at the moment.

JONATHAN AITCHISON, Dunedin has logged 4QW and 2KP and gottem back from 2KM 3BA 2VM 2GZ 2KP 2ZW 2FC 2NU 2CN 2AY.

KEITH ROBINSON, Kapuka has reported Fiji 640 and verified GMW and KJR.

PHILIP GARDEN, Mosgiel has reports off to KXEL and KPNW. QSL's from Singapore 790 and XZK 955.

PETER JACKSON, Dunedin has logged 2GO 3MA 2PK with QSL's in from 2NM AFNT 1550 4KQ 6KG KCEY WIBW KOOL and KFRC.

MIKE SMITH, Matamata has QSL's only this month from 7NT 2CP and 2BS.

BRUCE MCGREGOR, Feilding has QSL's in from 3KZ 3GI 3UZ 4XO 2CO 3BA 3AW 3UL 2SM 2AY 2NX 4BH.

DAVID RICQUISH, Christchurch has one from 4RO. Onlt two contributors from Avonland this month - all frozen in ?

PAUL RAWDON, Lower Hutt has logged 1ZU TWR 800, 5AN 2NR Fiji 810 2ZH 4QL 1ZA BGC Masirah 1412 2ZE 2GF 2ZW. QSL's in from 2ZW 1ZU 1ZA KORL and 2ZE. Paul has built the MW booster and finds it works very well.

RAY CRAWFORD, Invercargill has veries from KICY, Port Blair 1440, Czecho-slovakia 1097 Rumania 1052, BFBS Cyprus 890 - making 82 Europeans.

NEVILLE HENRY, Invercargill has veries in from KOB KCEY KJJJ and CHUM. Good work 'chum.'

GRAEME SHILLITO, Dunedin has logged JOTL KPRC and CFUN. Veries back from 4JK Paradise WAYK and KJJJ, and KPRC.

ARTHUR CUSHEN, Invercargill has verified AFTN 1570 Israel 1025, with a report away to 4LM.

PAUL ARONSEN, Invercargill has logged 6XM 2GO 2ST 2NB Windy Waikato KOHO A3Z Fiji 710. Veries in from Waikato 2ZW and KICY.

ALAN ROBSON, Christchurch has logged WVUV TWR 800, KOB 2KM 4BU 2NZ 4QL 2AY Bulgaria 1223 Rhodes 1259 Iran 1325 Tahiti 740 Kuwait 1133 USSR 584 KVOO Vladivostok 1250 Fiji 890 KDAY and JOWF QSL's in from Bonaire 800, WSM KORL Fiji 1570 6WF 2NZ 4BU 2AY 3LO 4QL. Keep up the good work Alan. Can't help with your USSR 584 - send to Moscow and keep fingers crossed.

JOHN NEWMAN, Griffiths NSW, has logged Avon 2RG 2GR 6WA 4LG. QSL's in from 2RG 2CR 5MU 2NM.

DENE LYNNEBERG, Titahi Bay has report out to 5SY with a verie from KRNG.

CHRIS MARTIN, N.S.W. has 58 reports out to 2WN 6XM WKLE VTFV 570 700 1YA JORF XENU 3YZ 4RK Kuwait 1345 539, Riyadh 587 Stara Zagora 1223 2ZE 2KA 6NA KISA DZRP KGBT India 550 and 7 other freqs, 3GI 2NR 2TR DZBM Tahiti 740 3YW 2FC 2KO 4YW 3YC 2ZN 1YC Lahore 630 Singa-pore 630 2YC Sabah 1475 4AK 2ZB 4YC Thailand 1480 1ZB Nuie Sharjah 1536 8DN 6CI 6KG Masirah 1412. USSR 1367 JOLF. QSL's in from 2WN KUMU KISA JOWF XENU 6XM 4RK 2KA 4ZB 3YZ 6NA 2FC 2TR 2NR 3YW 4GR 2KO 1YA 4AK 8DN. A great month there Chris.

JOHN SLATER, Waiheke Island has logged 2HD 3GV JOQR 5PA 4MB 2WG 3GL 5PI 7LA 2CH JOHR JOHP JOER KVOO WKLE. QSL's from 1XW JOLF 2LF. Welcome aboard John.

LINDSAY ROBINSON, Invercargill has one in from KJJJ.

CHRIS MACKERELL, Nelson has logged KFI 2GZ 2KM 3UL 2KP 4KQ 2CY with QSL's from WLW WBZ KCEY KIRO KNBR KGIL WUNI. Good work Chris.

DUDLEY CARTER, Invercargill has logged and QSL'd 1ZD.

IAN DONALDSON, Victoria has one out to 7ZR and no QSL's this month.

MARK CORRIGAN, Wanganui has reports out to 3YB 3ZM and 4XO. Rewards from 1ZH 2WL 2XW 4ZB.

4 ERROL MONSON, Dunedin has QSL's in from Fiji 710 and KOMO.

DES DAVEY, Te Kuiti has reports out to VOFA 1580 1XI Fiji 560 3KZ 2NX 2KY 7HO 4XO 2ZH 3KA 2HP Noumea 670 Avon. Verie from 1XI. Hope the rain's stopped.

BRYAN CLARK, Wellington has a kind post man who has conveyed to Box 638 QSL's from Radio Provincias de Buenos Aires 1270 (Country 62) Radio Sutatenza 700, CMJG 1270 (13 months), CMKV KJR WLW 4WK. Logs 2GN 4MK 4BC KPRC KEX.

DERYK DUFFY, and GRAEME DIXON Auckland, recently made a DXpedition to the Waitakeres and report reception of Monte Carlo 1466, Pakistan 790, Ireland 566 on the morning of 18 May. Don't recall latter ever being heard in N.Z.

BROADCAST TRAIL

EVENING

730	XEX very good with ID 'La X'	6.20
735	Melodia, Quito, faor	5.30 RCh
740	Tahiti fair in FF	6.45 AR
800	PJB Bonaire good	9 PR
880	Union good before 1YC on at	4.45.
950	KPRC over 2UE	5.35 BC
1025	Unid SP. fair	11 RCh
1105	Chinese fair	10.45. RCh
	Same programme on 1393. at	10.35.
	1425 at 11.10; 1445 at	10.35 RCh
1120	WVUV fair at	6.40. KPNW at 10 PG
1170	KVOO reg strong	6.45 AR
	KOHO fair before KVOO in	PA
1190	KEX fair with nx	10 PG
	KLIF Dallas, ID Good	5.39 BC
1220	XEB briefly over 1ZE 'La B Grande.'	RCh
1260	WNDR with nx	8.55 KR
1270	Reloj Nacional Cuba fair	6.06
	when Cuba 590 and 600 are very good	BC
1327	DXCR good at times	10.20 RCh
1360	WDRG farm nx	9.05 KR
1390	WFBC nx	9 KR
1421	Vila faor	6.20-6.45 in Eng RCh
1425	Indonesian here	10.10 weak RCh
1535	'Radio X---the new pirate radio station.' Good copy	7.20 - 7.45
	24/4 playing marches and revolutionary music. Talk about Anzac Day. Direction - north or South of Opunake.	RCh
1540	KPOL ID	10.05 KXEL 10.30 PG
1548	Radio Gima good	5.30 RCh
1580	KDAY fair	7.30 AR
584	USSR opening	6 AR
593	Russian gd	6.20//611//548 RCh
620	ZK2ZN Nuie s/on	5 good. 'This is the Sunshine station.'

- 636 Unknown Arabic very good 6.30 RCh
 638 Limasol Cyprus good AA 6.30 RCh
 690 5SY mixed KKUA till 5SY off 2.33.
 850 HLAU 3.30 off with anthem MB
 920 Voice of Philippines good 12.50 DL
 959 Radio Tunis in FF good 7 with
 time pips ID and drum roll RCh
 993 Albania weak/fair 7.07
 995 Qatar AA good 7 RCh
 1133 Kuwait fair 5.40 AR
 1187 Szolnok fair 6.35 RCh
 1206 Indonesian weak/fair 4.25 RCh
 1248 Dubai good AA 4.45. Ann:Radio
 Dubai.at 5. RCh
 1250 Libya in AA fair 6.30 RCh
 1412 BBC Masirah poor 6.26 PR
 1454 Libya weak-fair 6.37-6.41am RCh
 China, Foochow, Fukein fair good
 with fading and mixed with NHK.
 EE/Chinese language lessons thru
 to 2. At 2, four pips followed
 by high pitched short pip and one
 long high pip. Music fanfare
 then ID.
 NHK also here with EE/JJ lessons
 prior to 2.
 1540 KISA exc freq ID's 3.55 - 4.15.

Contributors

Alan Robson, Robin Chambers, Dene
 Lynneberg, Merv Branks, Keith Robin-
 -son, Paul Aronsen, Phil Garden,
 Bryan Clark.

DX FORECAST

JUNE

- 4.30 - 7.p.m. U.S./Mexico
 8.30 - 9.30.p.m. Pacific peak
 9.00 - 11.30.p.m. U.S. Central/East/
 Mexico
 10.30 - 11.30.p.m. Asians/Filippinos
 (Watch split freqs)
 4.30 - 6.p.m. Central America.
 10.00 - 11.30p.m. Central America.

JULY

- 5.30 - 7.p.m. U. S. Mexico
 4.30 - 6.p.m. South America
 from 10.30 Asians - watch splits
 8.00 - 9.30.p.m. Pacific Islands
 10.00 - 11.30 U.S. East Coast/
 Central around 11 on.

bonaire

**TRANS
 WORLD
 RADIO**

BEST OF THE MONTH

Some very good entries this month !

SENIOR

1st

GMJP Ciego de Avila, Cuba, 1190 lkW
 Sutton Burtenshaw. 164 points

JUNIOR

1st

GMJG Camaguey, Cuba, 1270 lkW
 Bryan Clark. 163 points.

Looks like a 'fidel' to me !

STATION OF THE MONTH

If you're just starting out in DXing the broadcast band and perhaps have only been able to hear Aussies and a few Pacific Islands, this is the time of the year when PJB the giant transmitter of 500kw on 800kHz is heard at its best. Reception is satisfactory even before 4.45pm on winter afternoons when the "Radio Bible Class" is aired by Trans World Radio. At 5.05pm news headlines and a "Thought for the Day" conclude the English programme and Spanish religious segments follow till sign off at 0545. PJB returns to the air at 7.40pm in Portuguese with id as "Radio Trans Mundiale" and the religious programmes include much orchestral and piano music. 0900 sees a return to English language with the "Back to the Bible" programme.

Interval signal for TWR transmissions is a music box and the address for reports is simply Trans World Radio, Bonaire, Netherland Antilles.

Main interference comes from XEROK a 150kw Mexican based station with English pop music shows, also on 800. Of course when Parliament is sitting (Tue-Thu nights currently) 2YB is on the air. The signal can peak to excellent level when conditions are favourable any time between 5pm and well after 9. Remember, if you don't hear anything at first try, try for a week or so. MW is not like SW where conditions are usually stable for days or weeks at a time. MW reception can fluctuate considerably even as you listen!

Good luck with PJB! May it be the start of many DX contacts with the Americas for you.

BC

'LATIN LISTEN-IN'

details of current Latin time zones: Chile is GMT-4 on 1 April, Uruguay seems to be GMT-2½ and Argentina is GMT-2.

540 Radio Tropicana HCFA2 now with 10kw.
550 HCDG1 Radio Juventud ex Radio Ecuatoriana with 5kw.
620 HJEL ex 610 & 615 is using slogan "Radio Ciudad de Cali".
605 HCRH2 Radio Huancavilla, Guayaquil is new here with 1kw.
770 OAX8M La Voz de la Selva 5kw ex 810.
855 FJC2 Curacao regular in Dutch 0845-0902 GMT pops and world news.
940 HJTL La Voz de Progreso, Cuento 25kw
970 HJME Radio Peninsular ex 1170kHz.

6 The fuel crisis and its resultant effect in 'daylight saving' makes reporting to domestic broadcasters just that little bit more difficult. From NASWA come these details of current Latin time zones: Chile is GMT-4, Paraguay reverted to GMT-2½ and Argentina is GMT-2.

1020 new Colombian Radio Pantenu or Panzenu, Monteria noted 0530.
1027 HCAR2 Radio Rocafuerte ex 1030.
1030 CA103 Radio El Loa, Chuquicamata Chile new with 10kw.
1050 HJHO Transmisora Suranses 10kw.
1163 HGRF Radio Paraiso, "Musica Ranchera" 1110-1126.
1196 HIMR Radio Monte Rio regular 10 pm NZT. Often all news.
1250 Radio Nacional de Brasilia now here with new 300kw ex 1210.

Credits for above: Ron Schiller NRC (Florida) and WRTH Bulletin via NRC.

CAN — AM REPORT

New postage rates (airmail) from USA to NZ: 26 cents for letters, 18 cents for postcards and aerogrammes.

Don't forget Canadian Elections on 8 July, meaning some extra programming to watch the ECB on 9 July NZT evening.

KWK St Louis 1380 closed down late last year with creditors of more than \$2M unpaid. H. Meyerson IRCA.

540 WGTO Florida seeks 50kw D3
610 CHNL B.C. has application for 10/5 kw U4.
620 WETE Tennessee now seems all night.
810 WYYS Wisconsin ex WELF.
610 KRKE Albuquerque ex KGGM idents as "Ker-Ker Channel 61"
800 CBQ Thunder Bay, Ontario 10/5kw new EE regional service. Address: 213 Miles St., Thunder Bay, P7C 1J5.
1270 CFGT Quebec approved to increase power to 10/5kw U2.
1280 KBDF Oregon ex KERG.
1290 KK10 Calif req requested by KACL.
1300 KXXO Oklahoma ex KCNW.
1351 Gander, Nfld call CJCO? //CJON on 930 running all night.
1400 KQIQ Calif requests KAAP call.
1440 CJOI Alberta req. 10/10kw U2.
1490 WCOF Florida requests WKEM.

CKAY 1500 has been noted with s/off 8.12pm on Mondays. Credit all to NRC

TOPICALITIES

BAHREIN. Now on 615 ex 610 in Arabic till s/off 2000 GMT. Gregg Calkin, DX Jukebox.

SOUTH KOREA MBC station changes: HLCQ Taejon on 810, HLAV Pohang on 1110. Ryden NRC.

UNIDENTIFIEDS. The XLEA in Chinese (ref April P.A.R.) is surely HLDA Cheju Island, South Korea which s/on in Chinese at 2000 GMT on 1570kHz. BC/JSWC. A strong Vietnamese station is hrd on 570 when 2YA is off the air. VTVN have advised that it is not theirs, so perhaps North Vietnam? Chris Martin, NSW.

NEW ZEALAND. Radio Windy 1080 (2XW) has been 24hrs since May 11th. BC Plans are being further advanced for the establishment of a high power tx in the Taumaranui area to relay the National Programme. Power is expected to be in the vicinity of 60-100kw. It will serve the King Country area and probably release existing stations at Taumaranui, Taupo & Tokoroa to devote more time to commercial and local programmes. Tune In.

AUSTRALIA. The Technical Officer of the new 6XM Exmouth 1190kHz writes: Transmitter is fully automatic setup in that it is unmanned, with 2 x 2.5kw AWA transmitters with clock control for start and stop; the duty transmitter changing each day. The station is visited for routine checks & faults only. Such regional ABC transmitters are usually about 200w but 6XM is extended to cover Onslow, 66 miles to North East. Official opening 29/4/74. Paul Aronsen.

LADDERS

7

Broadcast

Shortwave

Division	Dec	Jun	Inc.
GOLD STAR (1251 & Over)			
Arthur Cushen	2127	2146	19
Keith Robinson	2004	2017	13
Merv Branks	1989	2016	27
SILVER ACE (751-1000)			
Ray Crawford	909	939	30
Eric McIntosh	839	844	5
ACE (501-750)			
Robin Chambers	711	741	30
Sutton Burtenshaw	665	698	33
Stan Larking	654	663	9
Dene Lynneberg	615	630	15
Graeme Shillito	575	594	19
SENIOR (301-500)			
David Ricquish	438	453	15
Paul Aronsen	388	391	3
Brian Withers	350	350	0
George Masson	312	313	1
Chris Martin	-	302	-
INTERMEDIATE (151-300)			
Bryan Clark	264	299	35
Gordon Simes	230	231	1
Arthur Williams	218	228	10
Tony King	219	219	0
Lindsay Robinson	165	179	14
Sinclair Bennett	161	175	14
John Newman	146	161	15
JUNIOR (51-150)			
Des Davey	-	146	-
Jack Searle	129	132	3
Alan Robson	92	119	27
Paul Frost	61	110	49
Michael Smith	91	104	13
John Bathurst	91	91	0
Peter Jackson	50	73	23
Jonathan Aitchison	38	69	31
NOVICE (1-50)			
Elizabeth Hellyer	41	42	1
Andrew White	31	34	3
Norman Clover	-	32	-
Philip Garden	-	25	-
Chris Mackerell	11	24	13
Colin Campbell	18	18	0

Division	Dec	Jun	Inc.
GOLD STAR (1251 & Over)			
Arthur Cushen	4016	4070	54
Dene Lynneberg	1787	1823	36
GOLD ACE (1001-1250)			
Stan Larking	988	1106	118
John Mainland	1041	1100	59
Ray Crawford	1082	1097	17
John Watson	1000	1028	28
SILVER ACE (750-1000)			
Bryan Clark	942	973	31
Hans de Jong	856	896	40
Brian Withers	862	872	10
John Durham	662	756	94
ACE (501-750)			
Bill Huddleston	721	743	22
Erin Ardley	658	678	20
Lindsay Robinson	568	618	50
Eric McIntosh	561	573	12
SENIOR (301-500)			
Jack Searle	392	473	81
Paul Aronsen	464	472	8
John Hillier	412	447	35
Des Davey	233	304	71
INTERMEDIATE (151-300)			
Alan Robson	-	249	-
Tony King	232	233	1
Steven Greenyer	186	227	41
Colin Campbell	199	220	21
John Bathurst	212	217	5
John Newman	-	210	-
Arthur Williams	206	207	1
Murray Robson	-	207	-
Paul Frost	150	191	41
Jonathan Aitchison	67	151	84
JUNIOR (51-150)			
Michael Smith	139	150	11
Norman Clover	128	145	17
Nigel Greene	53	119	66
Charles Douglas	66	118	52
Leigh Morris	109	114	5
Chris Pike	68	113	45
Ian Wells	75	83	8
Chris Mackerell	69	76	7
Philip Garden	-	62	-
Jack Farrow	29	59	30
NOVICE (1-50)			
Andrew White	45	47	2

LADDER WINNERS - Broadcast.
Merv Branks(Gold Star); Ray Crawford (Silver Ace); Sutton Burtenshaw(Ace); David Ricquish(Senior);Bryan Clark (Intermediate);Alan Robson(Junior); Paul Frost(Novice). Congrats to all!

LADDER WINNERS - Shortwave
Arthur Cushen(Gold Star);John Mainland (Gold Ace);Stan Larking(Silver Ace); John Durham(Ace);Jack Searle(Senior); Des Davey(Intermediate);Jonathan Aitchison(Junior);Jack Farrow(Novice).

Commendations too, to members who have been promoted up the League Ladders! Special mention must be made of Merv Brank's 2000 on BCB - great work CM! Stan Larking has hit the 1000 on SW - fine effort Stan! QSL increase:1023 SW & 471 on MW.

8 ARTHUR CUSHEN'S SHORTWAVE REVIEW

Radio Nacional Brazilia should provide an easy catch for our readers this month, while many will add a new country when they listen to the Voice of Galapagos now using 4819 khz. News from the Americas dominates this month, with peak reception in the afternoon of signals in the 60 metre band.

ALL TIMES IN GMT

ALL FREQUENCIES IN KHZ

Austria: Vienna in its service to Australasia and the Far East now operates 0400 - 0600 on 21705; 0600 - 0900 on 17850; 1200 - 1500 on 17775 and 1500 - 1700 on 15435.

Brazil: Radio Nacional Brazilia on 15245 with 250kw is heard with excellent signals in English at 2100. The schedule is: 1800 Portuguese, 1900 German, 2000 French, 2100 English, 2200 Italian, 2300 Spanish. The station promises a pennant and postcard to those who send a reception report, and for those who send a recording of 30 minutes of the programme, this will be returned with Brazilian music.

Canada: CBC Montreal is now using some off-band frequencies and is heard 0600 - 0627 on 5925 and 9480, and from 2200 - 2230 on 11990 and 15092.

Czechoslovakia: Prague is heard in English to Australia and New Zealand from 0730 - 0800 on 11855, 15310 and 21700. To South Asia daily 0830 - 0900 and 0900 - 0930 Saturday and Sunday on the same frequencies.

Dominican Republic: Radio Clarin, Santo Domingo is a new station on 4850 and is heard around 0630 during its all night operation.

Ecuador: HCJB now broadcasts to the South Pacific 0500 - 0900 on 6085 and 0500 - 1045 on 9745. Radio Nacional Progreso in Loja is heard on 5060 signing off at 0515 with the march 'Anchors Away.' The station only announces the SW frequency.

Galapagos: HC8VG is testing on 4810 with 5kw with programmes beamed to South America. The station has been heard as late as 0525, and is asking for reports to HC8VG, San Cristobel, Galapagos.

Germany (East): RBI Berlin, 11785 has English to Africa at 0525 then follows with a programme in German. The service to South Asia which gives best reception in the Pacific is broadcast at 0645 on 15245 and 17700.

Lebanon: Beirut with English from 0230 - 0300 is now using 11965 with good signal but with slight jamming from 11970.

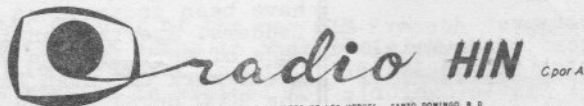
Monaco: TWR Monte Carlo is heard with English on Sundays at 0800 on 9525.

Sweden: Stockholm to Australia and New Zealand is broadcasting at the new time of 0230 - 0300 on 11940, and at the same time to North America on 11955. 11940 is poor reception while 11955 is mixed with the BBC.

USA: AFPS is now heard on a new frequency of 6095 from Delano 0900 - 1415. The VOA schedule to Oceania is 1100-1200 on 5955 9730 11730 15345; and 2200-0000 on 9545 15250 15290 and 17820.

USSR: Moscow in its service to Australia and New Zealand in English is now broadcasting 1100 - 1200 on 629 1250 5960 9750 12060. 1200-1230 on 9750 12060 and from 1250 - 1300 on 629 1250 5960 9750 and 12060.

Vatican: is heard opening on 15200 in Portuguese at 2300. Noted at 2330 in Spanish on 9615 and 11725.



APDO 1220 - TELS 2104 3 1025 - CENTRO DE LOS HEREDeros - SANTO DOMINGO, R. D.

A SW Antenna Tuner.

There are many things that the average SWler can do to improve his reception. He soon reaches the point of having heard all the 'easy' countries and is then faced with the problem of going after those which are harder to hear. Not having much success, he assumes that his receiver is not all it could be, and contents himself with the knowledge that he would need to purchase a sophisticated receiver to dig-up that real DX. Of course having a top-notch receiver does not guarantee reception, but only makes the job a little easier. It could be that what makes the SWler into a DXer is his ability to make efficient use of all that he has available to him.

All this boils down to squeezing that little bit more from the antenna. The real test of any antenna is whether it functions with greatest efficiency, ie with the highest amount of signal caught by the antenna being transferred to the receiver, for a particular frequency or band. An end-connected wire of random length connected to the input terminal of the receiver will generally exhibit greatest efficiency for one particular frequency. This is the 'natural resonant frequency of the antenna' and will vary for different receivers, to some extent due to the antenna height or with the length of the antenna. In other words there is a definite length of wire required if one wishes to listen to a particular frequency and at the same time obtain maximum transfer of signal from the antenna to the set. The actual length of antenna used is directly dependant upon the wavelength concerned and to some extent upon the method of feeding the signal from the antenna to the receiver, be it from the middle of the antenna (horizontal dipoles), one-third from one end (eg Windows), directly from one end (Inverted L's). Incidentally the vertical whip is also a dipole in a sense, in that it relies on the earth to function as the other half of the dipole. For all these types of aeriels and others, there must be a natural resonant frequency and it follows that if these aeriels are used at frequencies different to those at which they work efficiently, there will be obviously a loss in signal due to decreased efficiency.

Hence one aerial can only be a compromise for most frequencies and some would argue that a complex array of dipoles - one for each band required, is necessary, but even then the dipoles directional characteristics would inhibit some DX!

This is where the Antenna Tuning Unit comes in. This extremely simple circuit functions by electrically adjusting the length of the antenna so that it operates at maximum efficiency on the tuned frequency. Thus the Antenna Tuning Unit (hereafter abbreviated to A.T.U.) will allow a longwire aerial to be used at peak efficiency on virtually any band, with surprisingly good results. Added benefit will also be found with vertical, inverted L or T type antennas. It must be remembered that no improvement will occur on those frequencies where the antenna naturally resonates, but on other frequencies a worthwhile increase in signal strength will be obtained. (NB:the ATU will not operate with dipoles employing 600 ohm open line feeders). It should also be stressed that the ATU as such doesn't do the job of the Antenna Trimmer, a control found on some communications receivers, (eg Trio) but functions independently.

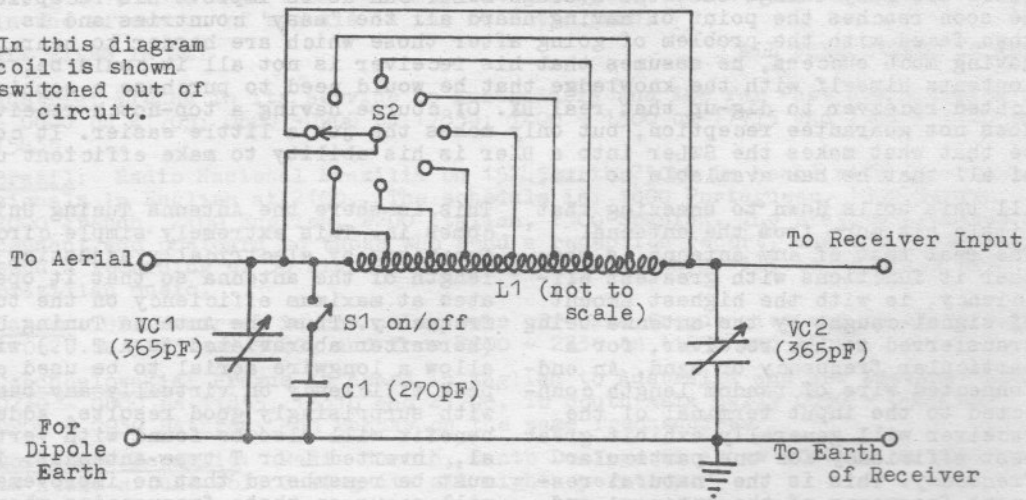
USING THE A.T.U.

The unit described in this article will cover shortwave from about 3.5MHz to 21 MHz or thereabouts, the actual range depending on the receiver and antenna. When using the ATU at frequencies where the antenna is naturally resonant, the unit can be left in circuit by setting the variable capacitors VC1 and VC2 so that plates are fully opened, switching the Capacitor C1 out of circuit, and setting the selector switch at 'position 1'. For other frequencies the selector switch is progressively rotated to allow more turns of the ATU coil to be brought into circuit each time, and adjusting VC1 and VC2 for best results. The capacitor C1 need only be switched into circuit when operating below 5MHz; if your receiver doesn't cover 3.5 to 5MHz you can leave C1 and its switch out of your construction. Peaking of the ATU should be done with an S-meter or, if by ear, switch off the set's

AGC/AVC or peak against a weak signal. The selector switch can be fitted with a dial showing the number of turns in circuit, and used in conjunction with dials on each of the variable capacitors, a chart of the best settings for given bands can be prepared. 10

A.T.U. - SCHEMATIC DIAGRAM

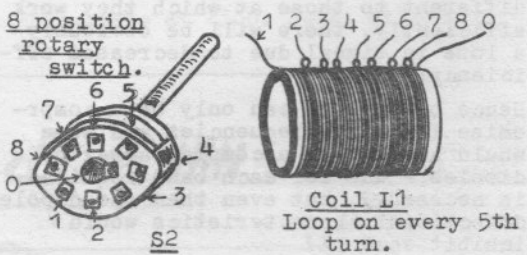
In this diagram coil is shown switched out of circuit.



CONSTRUCTION. Generally speaking there is little that is critical in this circuit, and certainly a mistake in construction can have no effect on your radio, so there's no harm in giving it a try. Components can be obtained from most of the electronic retailers or through a mail-order company, with retail costs no more than \$6.00 all together, and that includes the smart metal mini-box casing. The mini-box measuring 3" x 4" x 5" will house everything with room to spare, including larger capacitors if the miniature ones are not available. The one feature of the construction which allows for variation in performance is the L1 coil. The large diameter is preferable as the selectivity which is inherent in the unit increases. The number of taps on the coil is a matter of providing a readily adjustable factor, to help in tuning, and to this extent is not critical; more taps may be added if desired but a switch with 12 positions will need to be obtained.

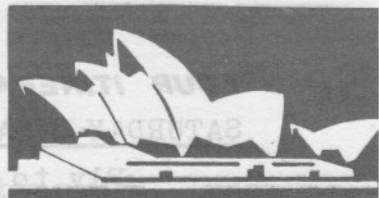
The coil with its taps is the first requirement, and to make it, a suitable former (eg paxolin or cardboard tube) and spool of wire are required. The tube should be about 1 1/2" in diameter and at least 2" long. Anchor the wire near one end through a small hole drilled in the tube and leave at least 4" protruding. Wind 5 turns side by side and then twist a small loop, wind another 5 turns and make another loop, and so on until the 40th turn is reached. Drill a small hole in the former and anchor the end with about 4" of wire protruding. There should now be 7 small loops on the coil, and these should be scraped to remove the enamel. Then solder leads of about 2" in length to each loop. These leads are in turn soldered onto the switch, the correct sequence being such that from "position 1" to "position 8" the switch is rotated clockwise and there is an increase in the number of turns brought into the circuit.

If operation of the ATU is with a radio possessing a coaxial input socket, then a similar socket should be installed on the ATU in place of the banana sockets. The coax lead between ATU and receiver should be kept as short as possible.



We're Calling it —

DXCURSION AUSTRALIA '75



Everybody's doing it - and why not - Trans Tasman air fares are at an all-time low - and perhaps not for long, and dozens of groups are 'packaging up' on interest packed holidays in Australia.

THE DEAL

We've packaged up a tour of 9 DAYS, escorted throughout, which takes in a liberal amount of sightseeing and a tour of some of the most beautiful parts of New South Wales and Victoria; there's a visit to radio and TV complexes in Sydney, an opportunity to purchase the famous Barlow Wadley XCR-30 or to splash out on some of the fantastic equipment available. We've a sightseeing and harbour cruise in Sydney, a tour of the controversial Opera House, and there will be time to enjoy some of the night-life of Sydney or compare notes with local DXers.

Your tour takes you to Albury - the home of 2AY and a get-together here is planned, before we move on to Melbourne and Radio Australia; perhaps a visit to Lyndhurst or Shepparton and to meet up with the hospitable DX scene in Melbourne.

There's time to "do your own thing" in Sydney and Melbourne, and while the entire tour has been tailored to the average DXers pocket, you will find accommodation and transport to be first class - and why not have the comfort while you're on holiday ! There will be plenty to interest your wife if she is not DX inclined - even if its spending money on a shopping spree.

YOUR ITINERARY

SATURDAY 8 MARCH 1975

Fly to Sydney from either Christchurch, Wellington or Auckland. Met on arrival and conveyed to your hotel - the 22 storey circular Gazebo in the heart of King's Cross. An afternoon sightseeing tour is arranged and in the evening a get-together with local DXers - or if you prefer - a night out in dazzling Sydney town.

SUNDAY 9 MARCH

Captain Cook Coffee Cruise on Sydney Harbour.

Day of leisure with a range of optional activities.

MONDAY 10 MARCH

Visit to Radio and TV complex.

Shopping

Opportunity for Barlow Wadley purchase

Tour of the Sydney Opera House and

Australia Square

TUESDAY 11 MARCH

Depart Sydney 9.a.m. along Princes Highway to Sublim Point Lookout for a breathtaking ocean view. Visit the industrial cities of Port Kembla and Wollongong then through the Macquarie Pass to Bowral to a sheep station for displays of stock handling and a barbecue lunch. Proceed through Goulburn to Canberra for overnight at the Wellington Hotel/Motel.

WEDNESDAY 12 MARCH

Morning and afternoon sightseeing in Canberra. Lunch is served aboard a launch whilst cruising Lake Burley Griffen. Overnight in Cooma.

THURSDAY 13 MARCH

Depart for Thredbo via Jindabyne Dam. Lunch at Alpine Village Hotel with ample time to inspect the village and ride the chairlift to the top of Mt. Crackenback. Travel along Alpine Way through breathtaking scenery to Geehi and Khancoban for a brief inspection of the Murray 1 power station before proceeding to Albury for overnight. Short tour of the city and Memorial Hill and a visit and function with 2AY staff.

FRIDAY 14 MARCH

Cross Murray River to Victoria and then to the historic town of Beechworth; time is allowed to visit the Carriage & Horses and Burkes museums. Travel via Everton and Markwood to the Milawa winery for inspection and tasting. Lunch at Benalla before the run to Melbourne along the Hume Highway arriving 5.15.p.m. Accommodation: Townhouse

SATURDAY 15 MARCH

Visit to Radio Australia.
Possible excursion to the Radio Australia transmitters.
Function for RA radio personalities
Optional sightseeing for the less DX inclined. Prospect of overnight DXpedition.

SUNDAY 16 MARCH

Day at leisure.

MONDAY 17 MARCH

Day at leisure with optional sightseeing.
Last shopping spree.

TUESDAY 18 MARCH

Return to New Zealand.

This tour will give you a taste of Australia and will be full of interest for both the DXer and less enthusiastic SWL. The itinerary is presently being finalised - and augmented - but now is the time to register your interest as the tour size is limited.

Plan your leave now, fill in the attached coupon and come with us into the warmth of the late Australian summer.

THE COST

\$320 includes economy class air travel; accommodation in twin rooms with facilities; afternoon city tour of Sydney; arrival and departure transfers throughout; Captain Cook Coffee cruise; four day 'Red Carpet' tour inclusive of all meals; cabin bag.

does not include -
Airport tax (\$2)
Meals except on the tour
Tips and gratuities
Items of a personal nature.

Persons registering will be kept in touch with developments by regular newsletter. An intact copy of the itinerary will be sent to all registering on the form below.

DXcursion Australia 1975 -----

I wish to register my interest.
I will be accompanied/unaccompanied by my wife.
I would/would not be interested in a Barlow Wadley purchase.
I understand this registration places me under no ultimate obligation to partake in the tour.

Name: _____

Address: _____

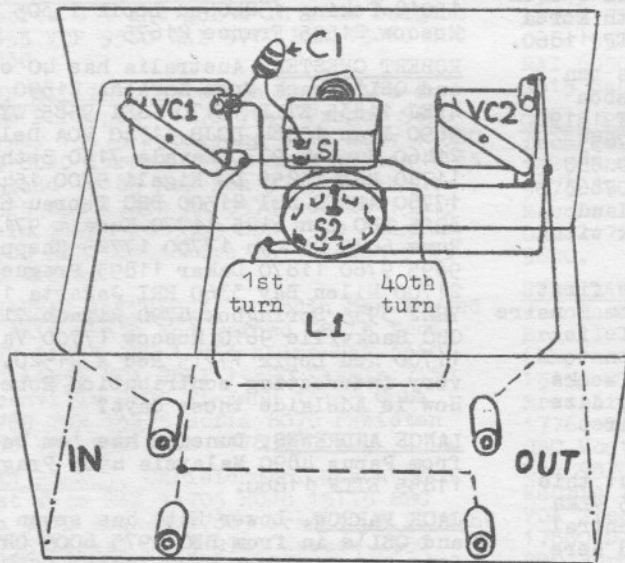
Mail to: DXcursion, P.O. Box 2956 Wellington.

The outer braid of the coax will act as the earth connection. The on/off S1 switch and capacitor C1 can be omitted from the circuit if your receiver does not tune below 5mHz. A point to watch when connecting the variable capacitors is that the earth leads should be connected to the tag which comes from the moving plates or chassis, and in all cases a direct connection exists between the earth tags of VC1 and VC2 and the short metal shaft. The other lugs, connected to the fixed plates, go to aerial and receiver respectively. At all points where connections are necessary, a file should be applied to remove the enamel from the wire and to clean the lugs of the variable capacitors and switches, otherwise solder may not flow around the joints properly. Mechanical joints should be made by wrapping the wire around the lugs before soldering. The holes required in the minibox can be enlarged to the right size with a reamer.

.PARTS LIST FOR A.T.U.

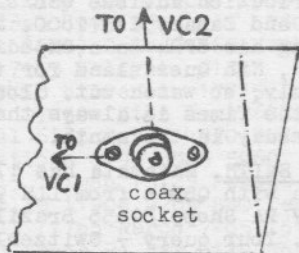
- | | |
|---|---|
| 2 x 365pF miniature single gang variable capacitors with broadcast dial included. (VC1, VC2) | *1 x on/off Toggle Switch with an extra nut for flush mounting. |
| 1 x 1 pole 8 position rotary switch and suitable knob, plus extra nut enabling a flush mounting. (S2) | *1 x 270pF pinup capacitor.(C1) |
| 1 x spool of No.20 SWG enamelled wire. | <u>*=above two items only required if coverage required below 5mHz.</u> |
| 2 x Red banana sockets plus mating plugs | +1 x short length of 75ohm coax (white), say, 18". |
| 2 x Black banana sockets & mating plugs. | +1 x coax socket panel mount plus nuts and bolts to secure it. |
| 1 x "Paxolin" tube, 1½" diameter, at least 2" long. | +2 x coax plugs(for set & socket) |
| 1 x steel Minibox 3"x 4"x 5". | <u>+ =above items optional</u> |

BACK VIEW OF A.T.U.



For convenience & clarity, wires between coil L1 and switch S2 are not shown. See separate diagram of these two components. Wires are shown in approx positions only. Solid dot represents a soldered connection.

ALTERNATIVE OUTPUT



FURTHER REFERENCES

Radio Nederland Data Sheet on Aerial Tuners.
 Practical Wireless Magazine - May 1973
 1973 "How to Listen to the World".
 Radio Amateurs Handbooks(ref.'Pi Couplers')

Many thanks to Jack Farrow for his valuable assistance in assembling technical data for this article.

NIGEL ROBINS.

Shortwave Mailbag 12 with John Mainland

A big mailbag this month - over 40 contributors, shows that the hobby and League are in good heart. QSL highlights include Stan Larking's Djibouti 4780 and Dene Lynneberg's Kabul 3390. The Latins are verifying some lucky members too!

JOHN SLATER, Waiheke Island a first time contributor has logged RCI 6135 Portugal ?240, VLKH, RRI 3995, VLK3 RA 17795 Tunis 11970 Paris 7135 Colosal 4945 Contiente 5030 BBC 7150 Santa Fe 1965 Sutatenza 5095 RRI 6070 HGJB 6080. QSL's from NHK 17885 Peking 11720 Vatican 11740 Nederland 11720. Loggings are contributed in Bandwatch format. Provide exact frequencies too John. Keep utilities apart on separate paper.

NIGEL ROBINS, Wainuiomata has QSL'd TWR Monaco 9730 and Kabul 15195.

DUDLEY CARTER, Invercargill has veries from Japan 15300 15235 and RA 11885; also DZ18.

HARRY WEATHERLEY, Australia has QSL's from La Cruz del sur 4875 VTVN 9620 RNZ 11780 Norway 11850 Tunisia 11970 Norway 15175 Afghanistan 15195 RSA 21545.

IAN DONALDSON, Victoria has QSL's from Havana, VOA 9730, VOV 15012 Nth Korea 9455 Radio Filipinas 9580 ORTF 11860.

BILL HUDDLESTON, Auckland has ten away with QSL's back from Lisbon 11870 Israel 15100 10250, ETLF 15190 15250 Poland 7285 HGJB 9560 17855 TWR Bonaire 11815 Norway 11860 SBC 9750 Ned Bon 9715 Bangkok Met 7863 Brasilia 11720 Japan 5990 Finland 9550 BBC 9410 11750. Good luck with new rx.

ERNIE MOORE, Queensland in his first contribution advises QSL's from Bonaire 9760 and Canary Is 11800. Ernie is taking his SPRA on a DXpedition to Bowen, Nth Queensland for two weeks in July, so watch out. Closing date for the Times is always the first Wednesday in the month.

MIKE SMITH, Matamata has 17 out this month with QSL's from LLH 9645 VLML VL2UV RA Shepp 21655 Brazil Central 4995. Your query - Switzerland here at this time.

LEIGH MORRIS, Palmerston North has four out and QSL's in from Chile 15150 TWR Monte Carlo 7100 Filipinas 9580.

PAUL ARONSEN, Invercargill has only loggings: Rumania 5990 Kavieng 2428.

CHRIS MACKERELL, Nelson has QSL'd GP75 Cruz del Sur.

ARTHUR CUSHEN, Invercargill has verified Bonaire 6165 ORTF 9675 Vienna 7150 RTF 6015.

JACK SEARLE, Haumoana has QSL's from Springbok 4810 Japan 11815 RA Dar 15395 RA Shepp 9760 VOA Green 11740 HGJB 6080 11865 RA Brisbane 11885 DW Koln 9650 KGEI 9585 RNE Madrid 11775. Lean as it may be - you've done very well.

DERYK DUFFY and GRAEME DIXON advise QSL's from Kuwait 9715 Norway 11850 15175 Manila 9580 Vatican 21485 Cuba 11760 Lebanon 11965 Seoul 9640 Pyong-yang 6310 NHK 4 freqs plus a range from RCI RA DW AIR VOA HGJB RN and SBC. A team effort!

HANS DE JONG, Tasmania, has QSL's from BBC 6080 TWR Monaco 9525 RA Dar 9700 Shepp 9760 Bris 11885 AIR 9705 VOA Munich 9770 Greenville 11705 Monrovia 11925 ETLF 11815 Cuba 11840 Hanoi 15012 Peking 15240 Ned Lopik 15305 Moscow 21505 France 21675

ROBERT CHESTER, Australia has 40 out and QSL's back from Karachi 21590 ZL3 4VEJ 11835 ETLF 15170 KGEI 9585 WYFR 9690 Iran 15084 HGJB 11740 VOA Delano 21460 Munich 9770 Kavalala 7150 Bethany 11740 RBI 15255 DW Kigali 9700 15410 17780 AFRTS Del 21500 BBC Tebrau 6195 3915 BBC Lon 6125 11770 Kuwait 9715 Rome 6025 RA Lyn 17700 17725 Shepp 9695 9760 11870 Dakar 11895 Prague 21700 Milen Bay 3360 RRI Jakarta 11789 YHH2 3935 Springbok 4790 Riyadh 7110 CBC Sackville 9610 Moscow 17700 Vatican 11700 Ned Lopik 17715 Red X 21520. A very interesting contribution Robert. How is Adelaide these days?

LANCE ANDREWES, Dunedin has 'em back from Papua 4890 Malaysia 4985 Prague 11855 ETLF 11860.

JACK FARROW, Lower Hutt has seven out and QSL's in from BBC 5975 6005 ORTF 6015 SBC 9590 VOA 9670 Israel 9009 Moscow 11710 RA 15240 17715 Japan 15300.

ERROL MONSON, Dunedin has a QSL from P & P 17710. Errol is moving to Timaru next month and looks forward to meeting local members when establish -ed.

IAN WELLS, Milton has QSL's from RNE 9630 VL5UV and Pakistan 21730.

BRYAN CLARK, Wellington has four logs and QSL's from Radio del Pacifico 4975 Montreal 11855 and Baku 9840.

Philip Garden, Dunedin has them back from RSA 15220 and BBC 6005.

ERIC MCINTOSH, Invercargill has logged four and QSL'd DW 6145 9735 DZF8 15440 Kuwait 9715 and SABC 15155.

BRIAN GALL, Palmerston North has QSL's from Bangkok Met 7863 HCJB 9745 Norway 11850 Japan 17825 Vatican 11740 Singapore 5052 Malaysia 4985. Utilities on separate sheet please.

LINDSAY ROBINSON, Invercargill has 12 out this month and QSL's from Israel 15100 Burma 4725 VOA Ryukyu 7165 Munich 9770 Malaysia 6175.

DENE LYNNEBERG, Titahi Bay has 14 out and replies from KGEI 9585 Kabul 3390 OAS Bethany 11740 RA-S 9755 17700 Alvis 17760 BBC Sackville 9740 ORTF Allouis 11710.

PAUL RAWLON, Lower Hutt has eight reports out and QSL's in from Belgium 11855 VOP 9580 RAI 9710 RSA 15220 SBC 17830.

JOHN HILLIER, Masterton has QSL's in from Portugal 11870 ??, Prague 9630 Norway 15175 Pyongyang 9515 Kiev 11900 RNZ 6020 Israel 11960 ORTF Africa 7135 Finland 15185 Ned Bon 9715 Tashkent 11925 SBC 17830 RA 9570 Kuwait 15345 Spain 11925 DW 9545 CBC 5970 Belgium 11920 RAI 5990 Ankara 9515 Japan 9505 RBI 11890.

MONATHAN AITCHISON, Dunedin has logged 17 this month and gained QSL's from WYFR 11855 ORU 11855 Milne Bay 3360 BBC 11955 VOA Phil 15290 Kavala 7150 Greenville 9670 Finland 15185 Cuba 11760 TWR 15275 Sofia 6070 Pakistan 9460 VOV 15012 DW 17780.

ALAN ROBSON, Christchurch, has a good list from RNZ 11705 HCJB 15115 BBC Asc 9510 London 17865 Iraq 9745 Finland 11755 Israel 7095 9785 Moscow 7150 Wewak 3335 Bucharest 9570 6190 9690 RN Lopik 16305 15425 11730 Canada 6135 RSA 9525 Monte Carlo 7105 ETLF 11815 P & P 17730 Tahiti 11825 Belgium 11855 Bangkok Met 7863 KGEI 11920.

MIKE HIGHLEY, Wellington QSL Athens 7215,

JOHN MAINLAND, Wellington: Aden 11770 HCJB 15420 Jerusalem 7395 RSA 5980.

DES DAVEY, Te Kuiti has veries in from NHK 11875 15235 RA 11880 15240 NSB 3925 Ned 15420.

MURRAY ROBSON, Christchurch has 'em back from Kuwait 9715 Bangkok Met 7863 ORTF 17720 21600 RA 2 freqs Moscow 5960 DW Julich 9545 Werch 11850 Philippines 6170 Gonakry 11965 RN Lopik 15305 15420 Mad 15320 Bon 9590 BBC Tebrau 9740 17880 Pakistan 21730 SBC 11870 3985 Tashkent 9540 Portugal 11840 Teheran 9022 Chile 15150 Afghanistan 15195 Malaysia 4985 Voice of Phil 9580 Finland 15185.

STEVEN GREENYER, Invercargill has QSL's from BBC 21710 P & P 21600 VOA Colombo 11740 Malaysia 4985 FEBC 11920 EL Mundo 6120 Nacional 6060 Lara 4800 Voz de Huila 6150 Cruz del Sur 4875 Monte Carlo 6035 RIAS 6005. Nice bunch of Latins - hope you're having a field day this month !

CHARLES DOUGLAS, Te Awamutu has veries from RSA 15220 11900 Canada 11860 9610 SBC Berne 6165 9750 11775 21580 Israel 9785 7095 DW 9765 21540 RFE 15145 15215 Portugal 21495 Brasilia 15445 ORTF 21580 7135 Norway 15175 AFRTS 6110 Vienna 21720 FEBC 17810 Cuba 9525 Nederland 15420 P & P 11700 RAI 6050 ETLF 11815 BBC 21710 Vatican 9615 Sabah 4970. A good quality list.

CHRIS PIKE, Christchurch has QSL's from TWR 9525 7105 Bucharest 11940 15250 DW 21560 6145 21540 ORTF 21580 9675 SBC 21520 21585 15305 6165 3985 Moscow 21705 AIR 15205 RA 7 freqs ORF 21720 Kuwait 15345 Tashkent 6025 9600.

STAN LARKING, Whakatane has 24 out and in from Ecos del Torbes 4980 Brasil Central 4995 Djibouti 4780 (Why not in BOM?) Oslo 11860 Horby 15105 ETLF 7145 Malaysia 6175 Brasilia 15445 Hilversum 17715 Liberty 17760 Paris 17850 15135 Rome 6075 CBC Montreal 6135 Sabah 4970 TWR Bon 9570 Vatican 6190 HCJB 5960 RNE Madrid 15145 Taiwan 15125 Prague 9740 VOA Greenville 11905 9765 BBC Tebrau 17880 DW Jul 11765 Werch 7285 15185 SBC Berne 6 freqs RA Dar 6120 Shepp 9695.

NIGEL GREENE, Paremata has 38 reports out and QSL's in from Prague 9540 RCI 6135 NHK 15300 11810 RBI 11785 9500 11890 ORF 7150 11870 RA 7 freqs WYFR 11855 BBC 11750 RM 7350 ORTF 6015.

ERIN ARDLEY, Auckland has QSL's from RA 14
Dar 11840 17870 EBG 11750 TWR 7105.

JOHN DURHAM, Meremere has a good list of
QSL's from Japan 17710 5990 15270 VLR9
VOA Green 15235 Tinang 17735 Monrovia
9540 Karachi 17830 Cairo 17920 Sweden
15105 Israel 9785 HCJB 17850 15300 BBC
Tebrau 9570 11955 RFE 9565 RA Brisbane
Shepp 9760 TWR Bon 9760 RN Bon 6165
Brussels 11855 DW Julich 15425 Sines
9650 Madrid 9570 Austria 11960 ORTF
6015 Bangkok Met 7863 P & P 21600 WYFR
15215 Tashkent 9540.

BEST OF THE MONTH

UNDER 9 MHZ

Alan Robson,
Rumania 6190 khz

OVER 9 MHZ

Chris Pike
DW Kigali 21540 khz.

STATION OF THE MONTH



ORF

Shortwave programmes
from Vienna, Austria are
transmitted from Moosbrunn
situated in Lower Austria
about twelve miles south
east of Vienna. Construct-

-ion work on the short-
-wave transmitting centre at Moosbrunn
was begun in 1965 and the first two
100kw transmitters went into operation
in May 1966. At the beginning of 1969
four 100kw transmitters came into use.
With the tendency towards better day-
-light listening conditions from
Europe, the Austrian Radio's North Amer-
-ican transmissions are currently being
heard. From 0130 to 0200 GMT reception
is possible on 9770 khz with the daily
English programme, Report from Austria.
Later at 0350 - 0400 GMT the same
programme is presented, except on Monday
when Austrian Musical Trip is heard.
The frequencies are 6155 9650 and 9770 khz.
Vienna has introduced and English DX
programme titled Austrian DX Panorama
which is broadcast on Sundays at 2000
to 2015 GMT on 6155 9660 11905 and 15345.
The address: ORF, Auslandsdienst, P.O.
Box 700, A-1041 Vienna, Austria.



DXCURSION

AUSTRALIA '75

This heading will come as a surprise
to our Australian members as you will
not receive with this issue a copy of
our 'invasion brochure' for March next
year. Yes, where coming over to spend
nine days in New South Wales and
Victoria commencing in Sydney and
rounding off the trip in Melbourne.
We are looking forward to some
bright ideas too for 'goings on' in
both cities, so let's hear from you
at Box 2956.

The tour has the blessing of Head-
-quarters, and already keen interest
has been shown in the Wellington area.
The tour is being arranged by NAC
World Travel in Wellington with United
Travel Services, and 'trailblazing'
will be undertaken by Tony King when
he flies to Sydney in September to
finalise arrangements.

Now is the time to make plans - pawn
your set - and fill in the form
on the brochure. We look forward
to hearing from you!

ADD-ONS ADD UP TO A BETTER RECEIVER

It is noticeable from our Equipment
Review section that many members own
domestic and transistor receivers rather
than communications types. There are
many occasions when owners of these
simpler receivers read of the 'exotica'
reported in the Times but are discour-
-aged because their receiver just
hasn't got the sensitivity or select-
-ivity. The Add-ons featured in the
Times over the past months can do a
tremendous amount to 'hot up' the
performance of a simple set. Take
for example the Pye Model G (5 valve
8 waveband - 6 with bandspread.

Add: a Robins booster (for use with
the loop aerial initially)

Add: a MW coil and tuning condenser
(eliminates 'birdies' and images from
the booster)

Add: two SW coils (1.7 - 6 mhz; 6 - 20
Mhz) and a switch to interchange the
three coils. Connect to booster.
Feed in your aerial - connect the
output to your receiver. In effect

you've added an 'external' RF stage to your receiver. The result - the ability
to boost and peak any frequency over the full range of your receiver. Add a
dipole aerial for your favourite band. The cost of all this - about \$15, and for
this you've doubled the efficiency of your receiver, and you'll be surprised what

SHORTWAVE BANDWATCH

15



It is most heartening to report a record 38 contributors to this section...thanks everyone and sorry there isn't room for every report but I'm sure you'll agree that we have a very good selection this month. The 60 metre band has attracted many in search of Latin American and African signals, with good success! Certainly the highlights are test transmissions from Brazil's new 250kw transmitter and La Voz de Galapagos' new 5kw unit. Space is precious so lets get down to business.....
(+ indicates overseas contribution)

ALL TIMES GMT (NZT is 12 hours ahead of GMT). FREQUENCIES IN KILOHERTZ.

FREQ	TIME	COUNTRY	STATION	PROGRAMME & RECEPTION DETAILS	INITS.
2850	1140	NORTH KOREA	Pyeongyang	with Mx in Korean Home Service.	FC
3195	1830	IRAQ	Radio Baghdad	very strong. Heard till after 2030. 1900 good. JA 1923 Fair strength in Arabic.	MR PG
3227	0630	LIBERIA	ELWA	good in vernaculars 12/5. Slight telegraphy.	DL
3245	1729	IRAQ	Radio Baghdad	good in Arabic ex 3245kHz 20/5.	DL
3255	1730	INDIA	All India Radio Delhi	fair. EE news 1732, s/off 1735.	DL
3260	1844	NIGER	Niamey	with instrumental mx, interrupted by 4 min of nx in French at 1846.	JM
3290	1015	GUYANA	Action Radio	with hymns & religious prgm. LM. Unid here at 0728 12/5 with guitar int/signal. Perhaps Action Radio is signing on an hour earlier than listed 0843?	DL
3295	1731	INDIA	AIR Delhi	in Indian dialect didn't seem //3255. Good.	DL
3300+	1830	BURUNDI	La Voix de la Revolution	hrd thru to 1900.	NZDXRA
3325.3	0717	ECUADOR	Ondas Quevedanas	fair in SS with local mx & ids.	DL
3330	1736	PAKISTAN	Radio Pakistan	Peshwar fair in dialect. Id 1745.	DL
3345	1230	PHILIPPINES	FEEC in EE.	Fair with "Chords of Life". PR also good reception on 6030 at this time.	BG
3355	0845	NEW CALEDONIA	Noumea	vg in FF. DD. 1030 Excellent in FF.	MR
3370+	1922	MOZAMBIQUE	RCM Beira	id with gong, then EE pops & ancts.	CT
3375	1600	INDIA	AIR Gauhati	fair in dialect with indig mx till off 1703	DL
3380	1830	MALAWI	Blantyre	fair in EE with light popular mx. SL Also hrd by CT+ at 1928 in local language.	
3425	1435	NEPAL	Radio Nepal	good in EE. JA 1453-1516 news, noisy.	EMO
3560	1230	SOUTH KOREA	Ident "KBS Radio Korea"	hrd. Followed to 1313.	MS
3668	0940	TIMOR	Radio Dili	poor in PP. QRM most nights.	FG
3985	1112	ECUADOR	Radiofonicas Populares	HCER5 exc copy, many ids 20/5.	MS
3995	1933	WEST GERMANY	Radio Free Europe	very poor reception.	MS
4066	1040	INDONESIA	RRI Merauke	fair with EE pop tunes. BG Freq is 4066.2m relays nx & comment from Jakarta at 1200. Local id at 1225 hrd as "Inilah Radio Republik Indonesia, Studio Merauke"	DL
4120	1402	NORTH KOREA	Voice of the Revolutionary Party	for Reunification fair in English, announcing freq as 4140kHz.	SG
4615	0630	ECUADOR	Radio Popular de Cuenca	hrd often here //4800 with SS ids between Mx. However seems to be 'relayed' by a strong teletype transmitter noted on both frequencies!	BC
4720+	1227	INDONESIA	Ujung Pandang	in Indonesian to 1240. Sekiya JSWC	
4755	0415	BOLIVIA	CP62 Radio Em.	Bolivia fair running late on Sat NZT.	JS
4755+	1006	COLOMBIA	HJKC Bogota	with ident then gasoline commercial.	HW
4765	0455	CONGO	Brazzaville	with FF & indig mx. Good till fadeout 0520. good with news in FF at 0510.	NR DL
4770	0630	LIBERIA	ELWA Monrovia	good in English 12/5.	DL
4774.7	1725	AFGHANISTAN	Kabul	fair in Pushto/Dari. Strong het & telegraphy	DL
4785	1130	BOLIVIA	Radio Nacional de Bolivia	CP144 fair-good reception.	MS
4790v	1000	PERU	Radio Atlantida	with light mx & occasional advts 4789m. 4788m excellent at 0600 s/off. JS 4791 fair at 1109. MS Listed 4785 logged 0945. LM. 0512 prgm hrd daily except Monday as "El Show espectacular de la medianoche" good in SS.	SI
4795+	1054	BOLIVIA	Radio Nuevo America	with opening ident then mx.	NR EM

FREQ	TIME	COUNTRY	STATION	PROGRAMME & RECEPTION DETAILS	INITIALS
4795	0836	BRAZIL	Radio Tabajara	with time check and ident in PP. LM. Also noted at 0916 with Latin Mx & PP anncts with QRM frm 4800.	EM+
4799.6	0640	ECUADOR	Radio Popular Independiente, Cuenca	hrd most nights with mx & freq idents. DL Usually good signal	EM+
4810+	1058	VENEZUELA	Radio Popular	with Latin mx, ident 1059. CW QRM.	SL EM
4810	0457	GALAPAGOS IS, ECUADOR.	HC8VG La Voz de Galapagos	fair in SS testing new 5kw transmitter.	SG AC
4815+	0945	BRAZIL	Rad. Iracema	with PP music and anncts.	EM
4815+	1100	PERU	Radio Samaren	with Peruvian melodies. Ident at 1102.	EM
4820	0650	GAMBIA	Banjul	fair with Koran readings, 0659 EE ident then BBC news. BC. 0710 Local news bulletin hrd.	LM
4820	0415	HONDURAS	HRVC Radio Evangelica	in EE till s/off 0430. AK Also noted with SS religious prgm and ident at 1001.	EM+
4825	1845	TANZANIA	Dar es Salaam	noted with chanting, under USSR.	BC
4825	0430	ECUADOR	Radio Luz y Vida	with Ecuadorian Mx, full English Ident at 0445 - "From Loja, Ecuador, Listen to our Radio, Friends. Light & Welfare from Loja, transmitting programmes in the SS language with Ecuadorian flavour for America & the world. We have 2 frequencies; SW 4825kHz 63 metres, Longwave 1450kHz. Write to —, Luz y Vida, Post Office Box 223." Signoff at 0505 after "La Palabra de Dios". NR. 0655 vg in SS. Full id at 0700 & t/c "hora en Luz y Vida exactamente..." with 2 gongs.	DL
4832	0525	COSTA RICA	Radio Capital	poor signal with mx & freq idents.	SL
4850	0630	DOMINICAN REP.	Radio Clarin	good in SS. Id mentions 4850 as 3kw, 11700 as 50kw! NR. Call & freq details. AC 0728. MR. 0857 exc with talk show. MS 4849.3m commercial mx prgm.	DL
4860	1010	VENEZUELA	YVQE Radio Maracaibo	exc 18/5. MS 0936 LA Mx, advts.	EM+
4860	0708	PERU	Radio Chincaycocha	full id in SS. Good allnight Sunday.	BC
4868+	1625	SRI LANKA	Colombo	variety mx prgm and Sinhala anncts.	CT
4880	1010	VENEZUELA	Radio Universo YVMS	excellent with interview.	MS
4881.2	0708	DOMINICAN REP.	Radio Comercial, Santo Domingo	fair in SS with songs, freq ids & t/c's. DL. 0640 very good with mixed prgm.	MR
4885	0545	BRAZIL	Radio Acreana, Rio Branco	hrd consistently early June with full s/off in PP at this time. Good signals.	AK BC
4885	0719	PERU	Radio Villarica	good at s/off. Noted one night only.	BC
4885+	1025	COLOMBIA	Ondas del Meta	with Latin Mx. Heavy splash VLT4.	EM
4904	0427	CHAD	Ndjamana	regularly audible with int. sig & s/on 0430 in FF as "Ici Ndjamana, la Voix de la Revolution Culturelle Tchadienne" then prgm "Bonjour Afrique". NR AK BC. 1855 clear sigs.	BC
4905	0700	COLOMBIA	Emisora Atlantico	fair, allnight one Sunday. BC. 0656	EM+
4907+	1040	CAMBODIA	Phnom Penh	with pop. mx, 1045 annct with drum rolls.	HW
4910+	1030	VENEZUELA	Radio Carora	Latin mx with ids. Splash Brisbane.	EM
4915	1900	KENYA	Nairobi	good with Swahili prgm with commercials.	BC
4923	0400	ECUADOR	Radio Quito	fair with slogan "La Voz de la Capital". 0430 signoff with theme mx 'Indian Love Call'.	NR. AK
4945+	1925	SOUTH AFRICA	SABC	with spoken prgm in Afrikaans.	CT
4950+	1036	VENEZUELA	Radio Coro	good sig with LA Mx & freq. ids.	EM
4950	1430	SARAWAK	Radio Malaysia	Kuching fair reception though noisy.	BG
4955	0501	COLOMBIA	Radio Nacional	good at s/off with gongs, SS anncts & National anthem. BC. 1050 HJCQ poor to fair signal.	MS
4960+	1048	ECUADOR	Radio Federacion, Sucua	weak sig. Heavy QRM China in JJ.	EM
4970	0950	SABAH	Kota Kinabalu	with native lang lessons. SL in 20 days.	CD
4972	0458	CAMEROON	Yaounde	fair at s/on in EE & FF, then FF prgm till fadeout 0525. BC 0520 fair in FF. At 0530 EE prgm begins.	DL
4976+	1913	UGANDA	Kampala	heard with English news.	CT
4980	0552	GHANA	GBC Accra	EE news at 0600 but 4915 in // better. SG S/on at 0530 in EE poor. BC. 4915 news poor.	JS
4985	1033	INDONESIA	RRI Ujung Pandang	20kw with Indonesian Mx prgm at fair-good level. QRM from Radio Malaysia.	NR
4990	0958	VENEZUELA	Radio Barquisimeto YVMQ	exc and regular signals.	MS

<u>FREQ</u>	<u>TIME</u>	<u>COUNTRY</u>	<u>STATION</u>	<u>PROGRAMME & RECEPTION DETAILS</u>	<u>INITIALS</u>
5007	0400	BOLIVIA	Radio Universo	s/off with 'Warsaw Concerto'. AC 1034 s/on with id & Latin mx. Freq change from 5015 to 5005.	EM+
5010+	1537	SINGAPORE		poor-fair in EE with news then Beethoven Concerto.	HdJ
5010	0440	PERU	Radio Eco	good with popular mx, freq ids. BC. 0915	EM+ 1014 MS
5020	0500	VENEZUELA	Radio Nacional	good with full id at signoff.	IW
5020	0450	ECUADOR	Radio Centinela del Sur	has variable s/off time. Ann. freqs as 5020 & 2505. NR. good at s/off 0505; JS. 0600 Id & Mx.	AC CT
5025+	0900	BRAZIL	Voz do Sao Francisco	hrd with PP anncts & songs.	CT
5030	0400	VENEZUELA	Radio Reloj	Continente with daily prgm 'Romanticas Continentes' NR. 0915 good with frequent ids.	JA
5030+	0825	UNIDENTIFIED	Latin American	here till 1000 Sun when YVKM s/on.	EM
5050+	0700	PERU	Radio Loreto	Latin dance mx & vocals. Ident at 0729.	EM
5050+	1010	VENEZUELA	Radio Mundial	with mx and commercials. Ident at 1028.	EM
5060	0515	ECUADOR	Radio Nac. Progreso	s/off with "Anchors Aweigh". 5058.5m full id at 0606 "desde Loja, Radio Progreso.."	AC DL
5095	0315	COLOMBIA	Radio Sutatenza	fair - earliest Latin noted. BC. 0915.	JA
5925	0600	CANADA	RCI Montreal	in EE to 0627. AC Good at 0615.	JS
5965	0330	BOLIVIA	Radio Nacional	Huanuni good till blocked by BBC 0345.	AC
5970	1614	HUNGARY	Budapest	with DX prgm in GG at 1615 poor.	JM
5980	1615	LEBANON	Beirut AA Home Service	fair till blocked by RSA 1655.	JM
5985+	1950	TANZANIA	Dar es Salaam	with Swahili talks & Afro rhythms.	CT
5985	0610	PAPUA/NEW GUINEA	VH9RA Rabaul	good in EE & Pidgin. S/off 0645.	JS
5990	0430	ITALY	RAI Rome	good with EE nx //7275. JD Fair to Meditteranean. JA 7275 fair at 0425 in EE.	IA IW
6000	0415	HUNGARY	Budapest	fair with news in English. (9833 fair LA)	AR
6005	0400	ASCENSION ISLAND	BBC Atlantic Relay	opens with WS fair. SL 0510.	JF
6015	0430	COLOMBIA	Radio Mira	fair with QRM VOA 6020 Freq id & tc's - "En Radio Mira, son las 8 de la noche 30 minutos"	NR
6015	0731	UNITED STATES	VOA Greenville	good with news in French.	HdJ
6045	1930	UKRAINIAN SSR	Kiev	good but QRM from VOA.	JA
6060+	1020	ARGENTINA	Radio Nacional	with SS anncts & orchestral mx.	CT
6080	0410	EAST GERMANY	Radio Berlin International	fair strength in EE.	FC
6085	0500	ECUADOR	HCBJ	vg in EE to Aust/NZ till 0900 ex 6130. DL. 0745 new freq. JM RC+	DL
6095	0900	UNITED STATES	AFRTS Delano	s/on on this new frequency.	AC
6105	0641	COSTA RICA	Radio Universidad	heard once only to s/off 0700 11/5	SG
6110	1945	HUNGARY	Budapest	s/on in English at good strength.	JD
6110	0015	GREAT BRITAIN	BBC SS	to Latin America opens at fair level.	JM MH
6115+	0600	CONGO REP.	Brazzaville	hrd with news in French. Padula	ADKN
6120	0415	ARGENTINA	Radio El Mundo	fair to fadeout 0445 with id & mx.	JM
6135	1130	CHILE	Chilean Police Radio Station	seemed to be id at conclusion of EE prgm, then SS followed. Hrd once only 16/4 MR (This is certainly Radio de las Fuerzas Armadas y Carabineros ie Armed Forces & Police, Casilla de Correos 2337, Concepcion, Chile noted by a Chilean contributor to SCDX in February with EE at 2300. Ed)	MR
6140+	0330	BURUNDI	La Voix de la Revolution	heard in French. Pearce	SRK
6125	0724	COLOMBIA	Radio Continental	fair with Todelar network ids.	SG
6145+	1045	UNITED STATES	UN Radio	via Dixon fair-good with nx in Indonesian.	SG
6155	0330	AUSTRIA	ORF Vienna	"Report from Austria" in EE.	LM /HdJ
6155	0300	ROUMANIA	Bucharest	fair with talks in EE.	LM
6160+	0936	VENEZUELA	Radio Canaima	Latin mx, advts. Ident 1001.	EM
6160+	2205	WEST GERMANY	Deutsche Welle	poor in PP. New freq ex 6075.	RC
6175	0335	COSTA RICA	Faro del Caribe	with mx & anncts in SS. Poor x6037.	JM
6180+	0836	VENEZUELA	Radio Turismo	logged with Latin mx, advts & ids.	EM
6185	2100	WEST GERMANY	Deutsche Welle	with news. EM (note corrected freq Ed)	EM
6190	2043	VATICAN STATE	Vatican Radio	logged in EE. Fair.	JS
6200	1234	CLANDESTINE	The Voice of the Pathet Lao	good with songs & music. Ident in Lao on the half-hour.	SG
6405	1030	THAILAND	Or Sor	poor with programme in Thai.	FG
7140+	0800	INDONESIA	RRI Ambon	signon with full ident in Indonesian.	CT
7165	0810	INDONESIA	8FH33	popular mx. AC. 0800 sign on anncts.	CT+
7175+	1435	SOUTH VIETNAM	Saigon	strong with Vietnamese songs & anncts.	CT

FREQ	TIME	COUNTRY	STATION	PROGRAMME & RECEPTION DETAILS	INITS.
7220	1100	MALAYSIA	Kuala Lumpur	good signal with English news.	JD
7225	1145	PHILIPPINES	FEBC Manila	with fair reception.	BG
7233	0743	MONACO	TWR Monte Carlo	s/on poor level with EE id at 0745 11/5 but due poor strength & heavy atmospherics lang unid fr prgm DL	
7240+	0600	INDONESIA	Mataram	fade in with Indo songs. Good sig fr 150w. CT	
7245	0800	MAURITANIA	Nouakchott	poor-fair in AA after s/on 12/5. Koran chants in AA but later seemed to be vernaculars. Almost gone by 0825. Transmission on Sundays only.	DL
7260	1730	EAST GERMANY	RBI	good with EE Nx,Mx & cmt to Europe.	FC
7260+	2045	INDIA	AIR Delhi	poor-fair with EE news and songs.	HBJ
7260	0130	NEW HEBRIDES	YJB7 Vila	very good in EE to s/off 0200 16/5.	NG
7270+	0710	INDONESIA	RRI Jakarta	with news in Indonesian.	CT
7275	2100	WEST GERMANY	DW via Julich	in EE to Aust/NZ. New freq ex7105.	DL
7275+	1200	PHILIPPINES	VOA Poro	fair with news in Vietnamese.	RC
7300	0330	ALBANIA	Tirana	exc with EE news and comment.	JD
7345	1900	CZECHOSLOVAKIA	Prague	vg in EE for Europe. NG.0000 good in PP.	PG
7670	0400	BULGARIA	Sofia	fair in Greek to Europe. SINPO 42443	FC
8840+	1800	TANZANIA	Dar es Salaam	in AA & EE to 1900 on this freq.	NZDXRA
9022	2000	IRAN	Teheran	with news in English.	EMc
9411	1800	NORTH KOREA	Pyongyang	s/on in RR with id & talk. New freq.	JM
9480	0600	CANADA	CBC exc in EE //5960.	MH JS English to 0627.	DC AC
9500	0445	EAST GERMANY	RBI Berlin	fair in EE to Africa.	FC
9505	0300	DOMINICAN REP.	R.TV Dominicana	good level after RBI 9500 s/off. Latin mx & SS ids. NR. 17/5 prgm of music & election results noted 0630-0745 and later, over Prague. Clarin 4850 in //.	BC
9520	0000	DENMARK	Copenhagen	with EE anncts before Danish prgm. Much QRM/	
9595	1050	JAPAN	Nihon SW Broadcasters	fair reception.	BG /MR
9620	2025	YUGOSLAVIA	Radio Belgrade	very poor in EE due co-channel	QRM. NG
9625	2015	FRANCE	ORTF Paris	in FF on new freq. Good signals 31/5.	JM
9640	1100	UNITED STATES	VOA Dixon	s/on in Indonesian. Good N.F. ex9605.	RC
9640	1900	SOUTH KOREA	Seoul	new svce //11925. EE till 1930, FF till 2001	JM
9650	0330	AUSTRIA	Vienna	good reception. BG EE good. JA 0343 very good. 0350 very good with music & news in English.	LA RS
9660	2030	AUSTRIA	ORF new freq ex 9685	poor in FF, mixed VOA Kavala.	JM
9675	0200	POLAND	Warsaw	Fair in EE to Nth America. FC. Fair. BG 0310.	LM
9695	0730	WEST GERMANY	Radio Free Europe	good in Rumanian. Mx & Nx.	MC /NG
9710	2200	ITALY	RAI Rome	with good clear signal.	CP
9720+	1230	SRI LANKA	Colombo	requests & birthday greetings in EE.	HW
9725	0300	CYPRUS	BBC Relay	with nx then "Morning Show". Good reception.	MC
9725	1800	SWITZERLAND	SEC Berne	poor in FF to Nth America. N.F. ex 5980.	JM
9740	0300	CZECHOSLOVAKIA	Prague	good in EE //9540, 7345, 5930. MC Press & nx comments. LM. 0400 Spanish for Latin America.	LA
9740	2315	CANADA	BBC via Sackville	with World Service. QRM frm Prague.	DL
9750	2200	WEST GERMANY	Radio Liberty	s/on in RR very clear "Radio Svoboda"	
9760	0230	USSR	Radiostantsia Rodina	good in RR. Slight QRM VOA.	MC /NG
9755	1315	UNITED STATES	APRTS via Bethany	with sport. Poor due noisy.	DD
9770+	2030	ZAIRE	Kinshasa	in FF //4880. Id 2055. Hayashi	J5WC
9988a	1050	NTH VIETNAM	Liberation Radio	very good with Indo Chinese tlk.	FC
11662	0457	SAUDI ARABIA	Jeddah	int. sig & Turkish service, fair.	JM
11715	2100	SWITZERLAND	SEC Berne	good. DD. 2115 strong with news.	RS
11735+	0430	USSR	Radio Moscow	fair in EE to Nth Am. Also 11790 at 0400.	MC RC
11735+	0541	FRANCE	ORTF "Paris Calling Africa"	good in EE. 11710 FF 0614.	HBJ
11755	2030	FINLAND	Helsinki	good with "FinndX" Prgm in EE Sun. JD 0600.	AR
11780	1700	MONACO	TWR Monte Carlo	in Norwegian . Danish 1715. N.F. ex7260.	JM
11785	0500	EAST GERMANY	Radio Berlin International	fair to Africa.	CP
11789+	0914	INDONESIA	RRI Jakarta	fair in EE with EE popular music.	HBJ
11795+	0535	LIBYA	Tripoli	with AA news till 0546 then music prgm.	HW
11800	0030	CANARY ISLANDS	RNE	good with SS music prgm to Sth America.	CDC
11815	2200	UNITED STATES	WYFR Family Radio	with EE religious prgm.	LM
11835	0300	CANADA	RCI Montreal	good in SS on this new frequency.	NR
11835	1030	SRI LANKA	Colombo	with tourist prgm in EE good. PR. VOA Colombo with id & nx in Special English 1600. Poor after many tries.	RC+
11835	1115	HAITI	4VEH	good-poor in EE. "News in a Different Dimension"	PR

FREQ	TIME	COUNTRY	STATION	PROGRAMME & RECEPTION DETAILS	INITIALS
11855+	0530	ECUADOR	HCJB	Quito on new freq in Swedish. Poor.	RC
11900	0500	UNITED STATES	KGEI	good with SS news, GRM from RSA at 0505.	NR
				0520 Religious prgm in SS fair. New freq ex 9615.	JM
11905	1030	THAILAND	Radio Thailand,	Bangkok poor due extremely noisy.	DD
11910+	1310	MALAYSIA	BBC-FES	Tebrau fair-good in Indonesian.	HdJ
11915	0600	ALGERIA	RTA Algiers	FF network. Brief nx 0630 fair.	JM RC+
11925	1210	UZBEK SSR	Radio Tashkent	EE nx fair. PR 1400 poor due noise.	DD
11935	1800	BELGIUM		new freq in FF for Africa, fair. JM. 9725 in Dutch 1800. JM	JM
11965	0131	LEBANON	Beirut in FF, AA	at 0157, EE 0230. Poor till 0200 due Paris, then good. Replaces 9660. JM 0230 good in EE, SS at 3.	NRMR
12060+	1203	USSR	Radio Moscow	good in English with news.	ID
12025	2010	ISRAEL	"Jerusalem Calling"	in EE. Fair on this new freq 24/5.	JM
12115	2050	UNIDENTIFIED		weak signal, EE anncts, Asian mx till s/off annct: "You listening South Vietnam — — Radio Station invite you listen next broadcast" Noted Monday morning 3/6 NZT.	JS
15092	2200	CANADA	Radio Canada	International in EE replacing 15325.	AC
				Also here at 1128 still with Armed Forces prgm in EE, poor.	HdJ+
15120+	0640	SAUDI ARABIA	Riyadh with AA	anncts & mx. 0645 15180 not in //.	CT
15120	0145	SRI LANKA	Colombo 'All Asia Service'	with BBC Nx 0200 fair-gd.	JS
15135+	0117	PORTUGAL	EN Lisbon	commentary in PP.	Hw
15155	1750	SOUTH AFRICA	Radio RSA	fair in English.	EMc
15185	2030	FINLAND	Helsinki Finn-DX	on Tues & Sun NZT. JA Hrd to 2100.	EMc
15200	0650	BELGIUM	Brussels FF	for Africa poor to s/off 0735 //17780.	JM
15205	0230	PAKISTAN	Karachi EE	nx at slow speed//17830. Replaces 21730.	DL JM
15205	2211	MOROCCO	VOA Tangiers	good with Breakfast Show. Locale per sked.	JF
15210	2330	PHILIPPINES	VOA Poro/Tinang	s/on with news in Thai.	AR
15215	0910	WEST GERMANY	RFE	with Polish prgm. Idents in Polish & English.	ES
15215	0153	UNITED STATES	WYFR	good in SS to Latin America. JS 0300 fair.	JD

15245 2100 BRAZIL Radio Nacional de Brasilia's new 250kw tx with 1 hour EE prgm at this time. Good-very good but increasing splatter RA 15240. Prgming may vary but on 7/6 GMT, German at 2000, EE 2100 and PP at 2200. During May prgms in FF, Italian & SS hrd. New tx first noted in NZ by PR on 15385 but now only 15245 in use. Logged by NR AC BG SG JM BC LM DL MR JS and EMc and JA

15250	0645	ROUMANIA	Bucharest	with EE to Pacific. Nx, Mx & comment. Poor.	FC
15265	0510	KUWAIT	Radio Kuwait	fair-poor in EE. Nx & Wx 0530. N.F.x15345.	NR
15310	2115	BULGARIA	Sofia	good signal with news in English.	RS
15330	2202	UNITED STATES	AFRTS	Bethany with Sports in EE fair.	CD
15390	0005	LEBANON	Beirut in AA.	SS 0029 till s/off 0056. Poor-fair.	JE
15400	0235	ITALY	RAI	excellent with Italian //11905.	WH
15445	0445	BANGLADESH	Dacca	noted with news in English. Good 9/5.	NG
15520	1430	BANGLADESH		poor reception. DD. 11640 Dacca fair in Bangla.	DD
17690+	0620	BANGLADESH	Dacca	heard in EE to 0645.	N&DXRA
17715	1100	HOLLAND	Radio Nederland	new freq in Dutch poor but vg by 1130.	DL
17770	1400	SWEDEN	Stockholm via Karlsborg	to Sth Asia fair //17710. N.F. JM	JM
17805+	0615	SOUTH AFRICA	Radio RSA	poor in EE to West Africa //11900, 15220	RC
17840	0700	SWITZERLAND	SBC Sottens	500kw N.F. ex 21520 fairly good in EE.	DL
17890	2300	TAIWAN	VOFC	s/on with Anthem, then Mandarin prgm.	WH
21485	0400	AUSTRALIA	RA Darwin.	Also Shepparton 21655 & 21680 at 0430.	DC
21700	2230	PORTUGAL	Lisbon	strong signals in Portuguese for Brazil.	BC

CONTRIBUTORS THIS MONTH:

			NZ	LM	Leigh Morris	DL	Dene Lynneberg
MS	Michael Smith	AC	Arthur Cushen	JF	Jack Farrow	LA	Lance Andrewes
MH	Mike Highley	JM	John Mainland	SL	Stan Larking	SG	Steven Greenyer
NG	Nigel Greene	JD	John Durham	IW	Ian Wells	CDO	Charles Douglas
BC	Bryan Clark	JS	Jack Searle	DD	Des Davey	AR	Alan Robson
BG	Brian Gall	DC	Dudley Carter	CP	Chris Fike	PR	Paul Rawdon
NR	Nigel Robins	MC	Michael Cole	RS	R. Sainty	JA	Jonathan Aitchison
EMo	Errol Monson	FG	Phil Garden	EMc	Eric McIntosh	MR	Murray Robson

Aust HdJ Hans de Jong HW Harry Weatherley EM Ernie Moore

ID Ian Donaldson RC Robert Chester CT Craig Tyson

Clubs Japan SW Club. NZ DX Radio Assn. Australian DX News. Swedish Radio Club.

FC Fred Clements.

..sign off

SWAZI NEWSLETTER. Trans World Radio's new station in Swaziland will hopefully make its first tests in July/August. 5 log periodic antennas will be used, with 6 towers each of a height of 110 feet. Swazi Music Radio hopes to test its new 100kw Gates transmitter in July. Current sked is 6155kHz (10kw) 0400-2200 GMT.
Colin Miller SADXC

PANAMA 'CANAL DE ONDA CORTA'
According to HCJB, sister station HOXO in Panama City 760kHz has purchased a SW transmitter from US military surplus sources in the Canal Zone for \$600. It will be used in the 60 metre band and will go into operation later this year!
William R. Williams ASWLC

PARAGUAY is another country which should soon be a much easier catch for DXers: A licence has been granted for a transmitter of at least 100kw to be located in Asuncion, with aerials beamed to Europe and programming in Dutch, English, French and German. Station objective is to disseminate Paraguayan culture in Europe and provide an advertising outlet in the EEC countries.
Radio Caaguaza ZP19 in Coronel Oviedo celebrated its 5th anniversary recently by inaugurating a 10kw tx on 645kHz.
ASWLC and NASWA

CYPRUS. The Christian Broadcasting Network has asked for permission to establish a station to beam Christian programmes to the Middle East in Arabic, Hebrew & EE, with a transmitter power of nearly one million watts. Presume this is for CCB.
Clarence Freeman, NRC.

market square

WANTED: for an Eddystone Communications receiver - an aerial tuner unit and an external Q-multiplier unit. Please send details of price to Ernest L. Jones, 1010 Taita Drive, Lower Hutt. Telephone 674520.

FRANCE IN THE AMERICAS. ORTF St Pierre et Miquelon broadcasts on 1375kHz 4kw Monday-Saturday at 0930-0130 GMT and on Sundays 1000-0200.
ORTF Martinique operates a 50kw transmitter on 1310kHz 1000-0230 GMT and on SW with 4kw over 3315kHz 1000-1200, and 2300-0230; 5995kHz 1200-2300 GMT.
Kurt Ringel SCDX

New Zealand Radio DX League

ADMINISTRATIVE OFFICE

P.O.Box 1313, Invercargill.

All subscriptions, membership enquiries, stationery requirements and policy matters should be addressed to Invercargill.

EDITORIAL OFFICE

P.O.Box 2956, Wellington.

Only queries relating to content and distribution of the Times should be addressed to Wellington. Closing date for contributions: - first Wednesday of the month. Advertising: - \$0.50 up to 30 words. Other rates on request.

Annual Subscription: \$4.00
(Secondary Students: \$3.00)

LIECHTENSTEIN, that small European principality, is the site of a proposed commercial radio station with a transmitter expected to be 1200kw beamed into Germany and a potential audience of 15 million listeners.
Sweden Calling DXers

WORLD CUP SOCCER. Deutsche Welle is to broadcast to the following sked from 10 June to 8 July with proposed frequencies:
2000-2040 in Indonesian to Asia and 2045-2125 in English to Asia on 7105 and 9510kHz, and 5955.
2130-2210 in English to East Africa on 9625, 9505 & 11785kHz.
2215-2255 in French to West Africa on 9505, 11785, 11865kHz.
2300-0025 in Portuguese to Brazil on 9525, 11865 and 15435.
0030-0200 in Spanish to Latin America on 5965, 9520 and 11865kHz.
Transmitters at Wertachtal to be used.
Michael Cole, John Mainland

WHAT PRICE A QSL? In response to a reception report to a major Latin American SW broadcaster, the following Spanish letter was received: "Esteemed Friend, My father on Radio — — is the person in charge of maintaining correspondence with the radio fans who write and send reports of transmission. The QSL card which you request will be sent by airmail in the near future when you answer my letter. Meanwhile may I make a request; I am a philatelist, collecting stamps from all over the world. I would like stamps from your country..."
Jack Searle